

solids Pivoting Shutter

Type SSP



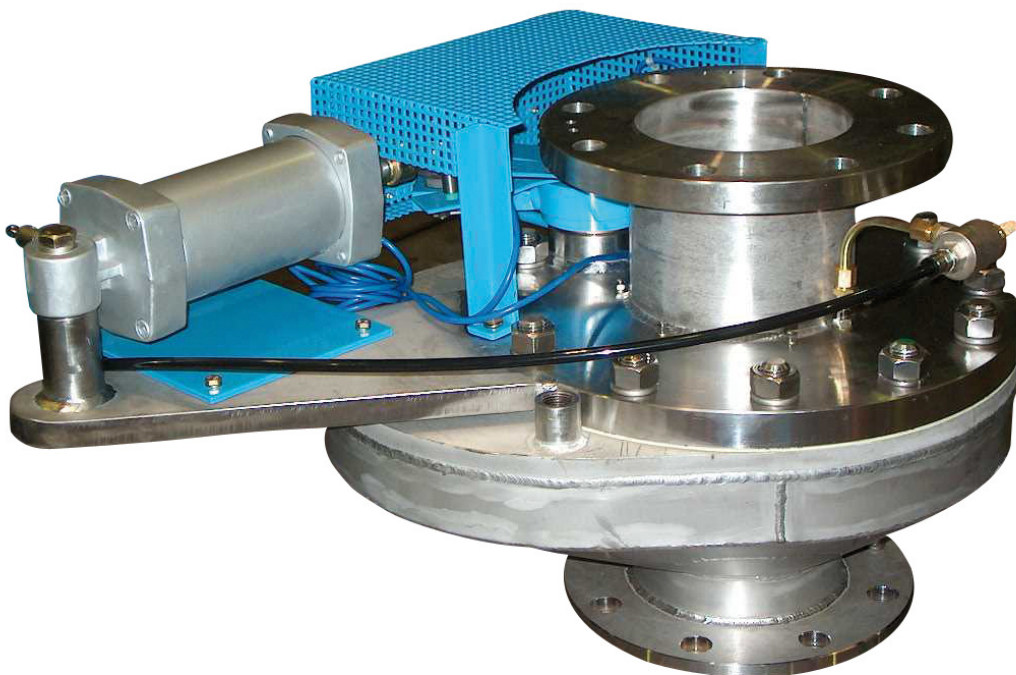
Pressure-tight seal for pressure/vacuum vessels or reactors.

For powdery and granulate-forming solids; for coarse and lumpy recycling products; also for wearing and poorly flowing mediums due to a free passage without interfering obstacles (like valve discs).

Variant: directly bolted onto the vessel using a flange; pressure (e.g. pneumatic sender vessel).

Advantages:

- **Fail-safe due to the electro-pneumatic installation**
- **Laterally pivoted slide plate in the housing**
- **Without any slide passage on the outside; as a result, dust cannot escape into the environment**
- **Overhanging and block-safe slide plate**
- **When the slide is open, the passage is free, which prevents the product from bridging**
- **Less wear since the gasket and the slide plate do not come in contact with the product flow when the slide is open**
- **TÜV-certified and approved as per pressure equipment directive 97/23/EC**

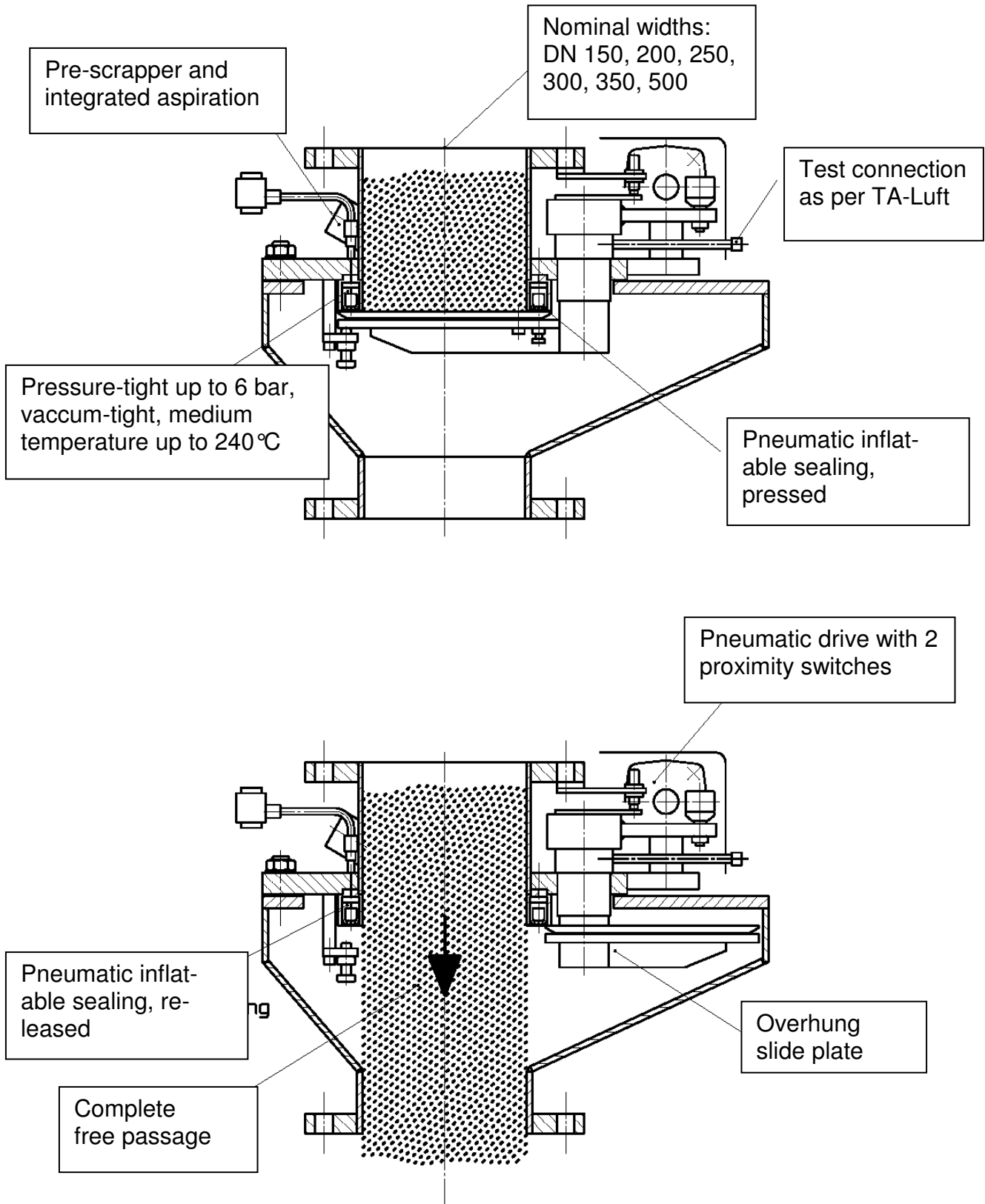


S.S.T.-Schüttguttechnik Maschinenbau GmbH
Lechwiesenstr. 21, 86899 Landsberg / Lech
Tel. 0049 (0)8191-3359-50 / Fax 0049 (0)8191-3359-55
E-mail SST@solids-service.de www.solids.de



solids Pivoting Shutter

Type SSP



S.S.T.-Schüttguttechnik Maschinenbau GmbH
 Lechwiesenstr. 21, 86899 Landsberg / Lech
 Tel. 0049 (0)8191-3359-50 / Fax 0049 (0)8191-3359-55
 E-mail SST@solids-service.de www.solids.de



solids Pivoting Shutter

Type SSP

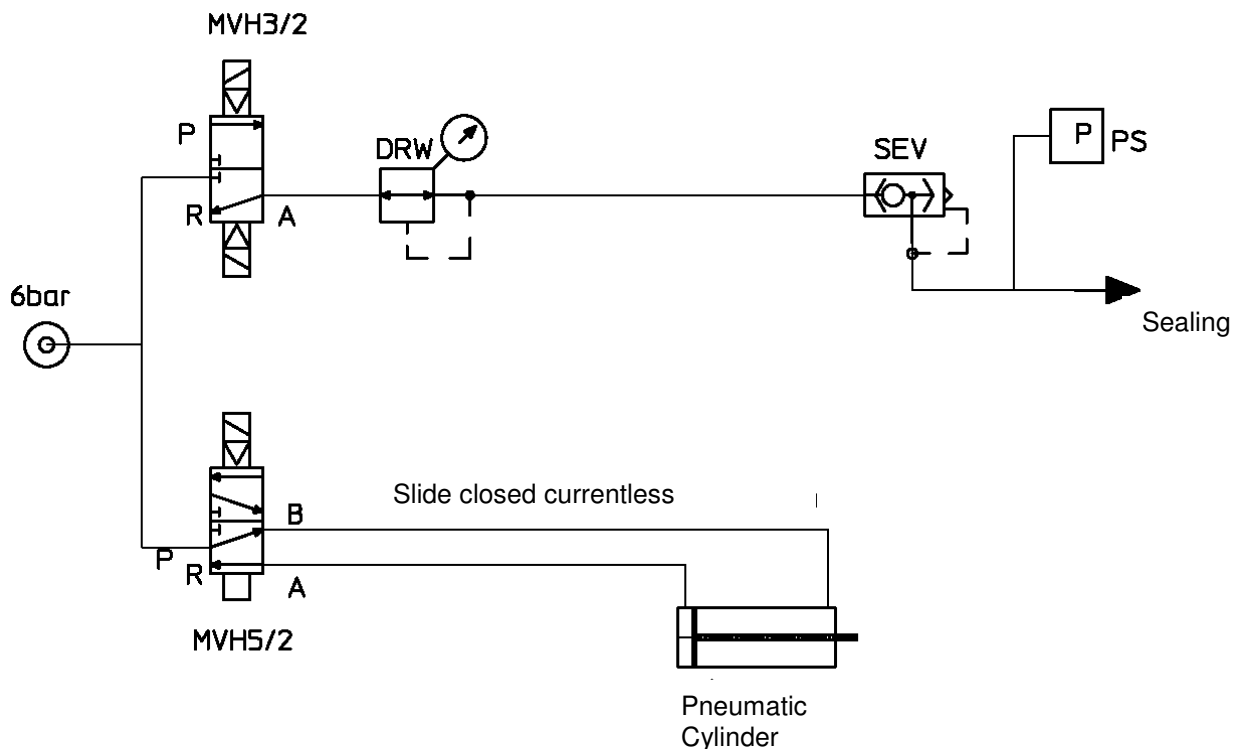


Functional description (see functional diagram):

- Normal position: Slide closed, pneumatic sealing not pressed (i.e. the solenoid valve (MVH 3/2) is in the relieve A-R position, limit switch at the "Close" position is actuated. Pressure switch (PS) indicates "Pressure <2 bar"
- Opening process:
The release signal to open the slide is sent only when the pressure switch (PS) indicates "Pressure <2 bar".
The solenoid valve (MVH 5/2) actuates the cylinder, the slide opens, the limit switch at the "OPEN" position is actuated.

Note: The slide is closed in case of power failure (safety position).

- Closing process:
The solenoid valve (MVH 5/2) is deenergised, the slide closes, the limit switch at the "Close" position is actuated, a release signal to press the sealing is sent.
The solenoid valve (MVH 3/2) switches over: P - A, the pressure switch (PS) indicates "Pressure >2 bar", sealing is pressed on.



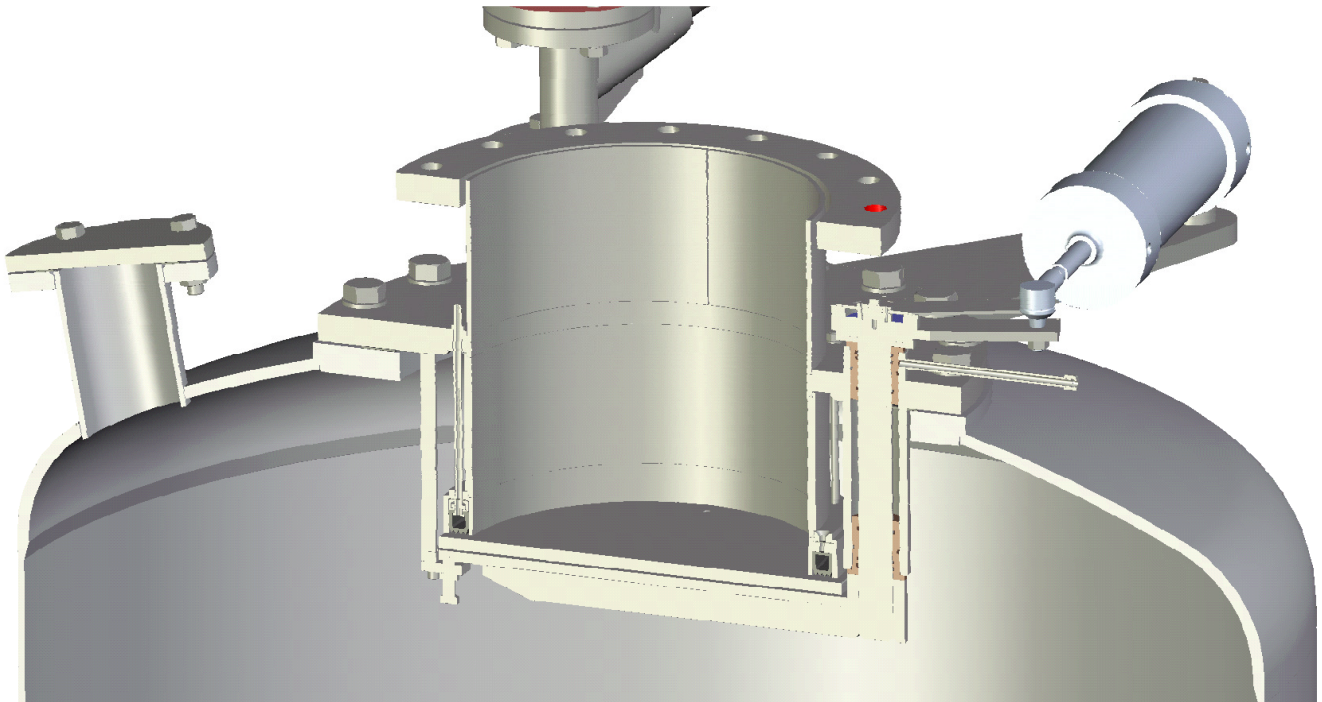
solids Pivoting Shutter

Type SSP

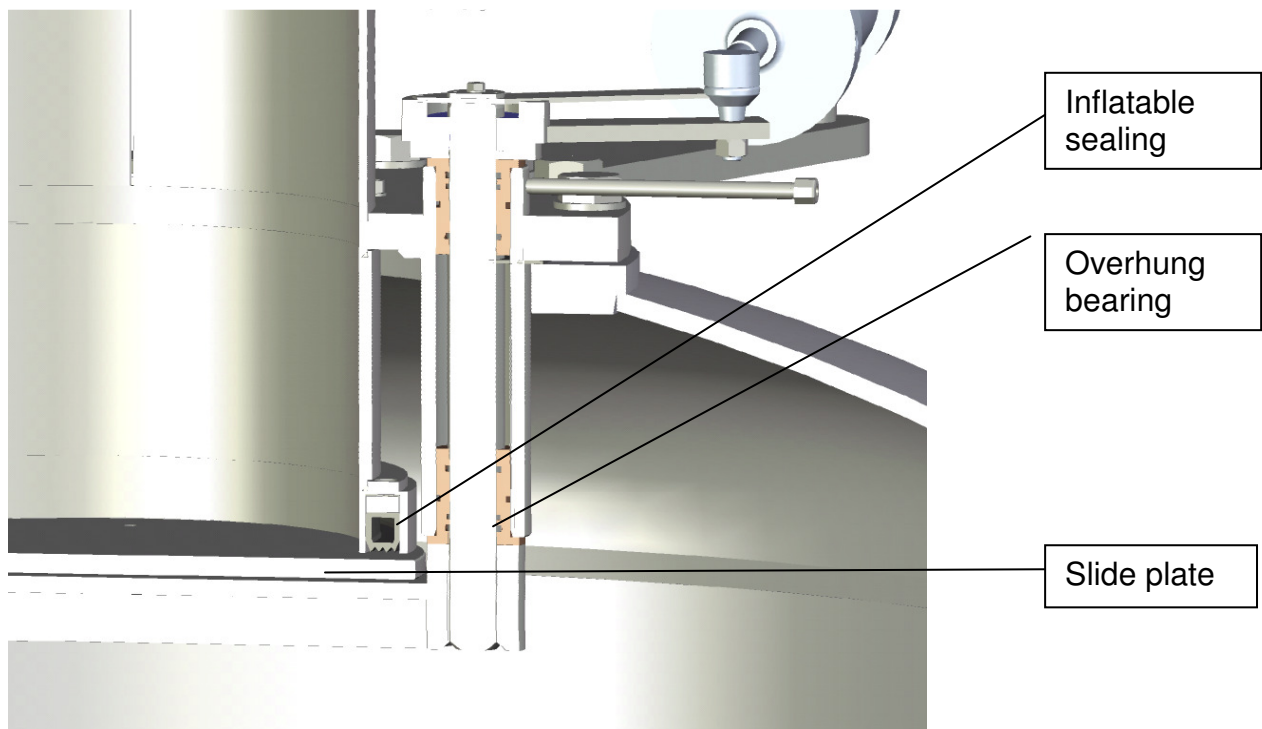


Section:

Pivoting shutter; integrated into the pneumatic pressure sender vessel



Detail: inflatable sealing and bearing



S.S.T.-Schüttguttechnik Maschinenbau GmbH
Lechwiesenstr. 21, 86899 Landsberg / Lech
Tel. 0049 (0)8191-3359-50 / Fax 0049 (0)8191-3359-55
E-mail SST@solids-service.de www.solids.de

