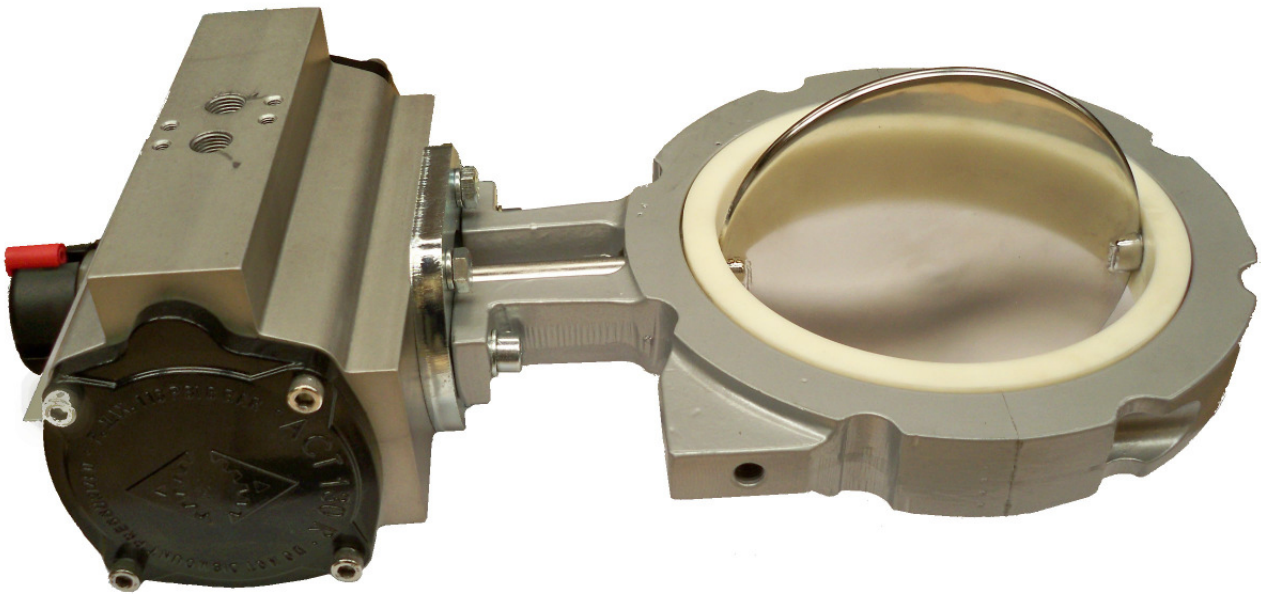


solids Disc valve Type DKA-Hygienic  
**Hygienic Design**



**Special design for bulk solids,  
Hygienic Design acc. to EHEDG-Guidelines**



**Advantages:**

- **Dust-proof, pressure-tight, vacuum-tight locking device**
- **fulfills EU-Regulation 93/43/EG Guideline about foodstuffs hygiene and 2006/42/EG Machinery directive**
- **fulfills GMP- / FDA-Requirements and DIN EN 1672-2**
- **easy dismantling, easy cleaning by split housing**
- **TÜV-certified and accredited acc. to pressure equipment directive 97/23/EG**
- **Easy, cost-efficient assembling**
- **Low construction height**
- **Blinding easy to replace by vertical split housing**



**S.S.T.-Schüttguttechnik Maschinenbau GmbH**  
Lechwiesenstr. 21, 86899 Landsberg / Lech  
Tel. 0049 (0)8191-3359-50 / Fax 0049 (0)8191-3359-55  
Mail [SST@solids-service.de](mailto:SST@solids-service.de) [www.solids.de](http://www.solids.de)



# solids Disc valve Type DKA-Hygienic **Hygienic Design**

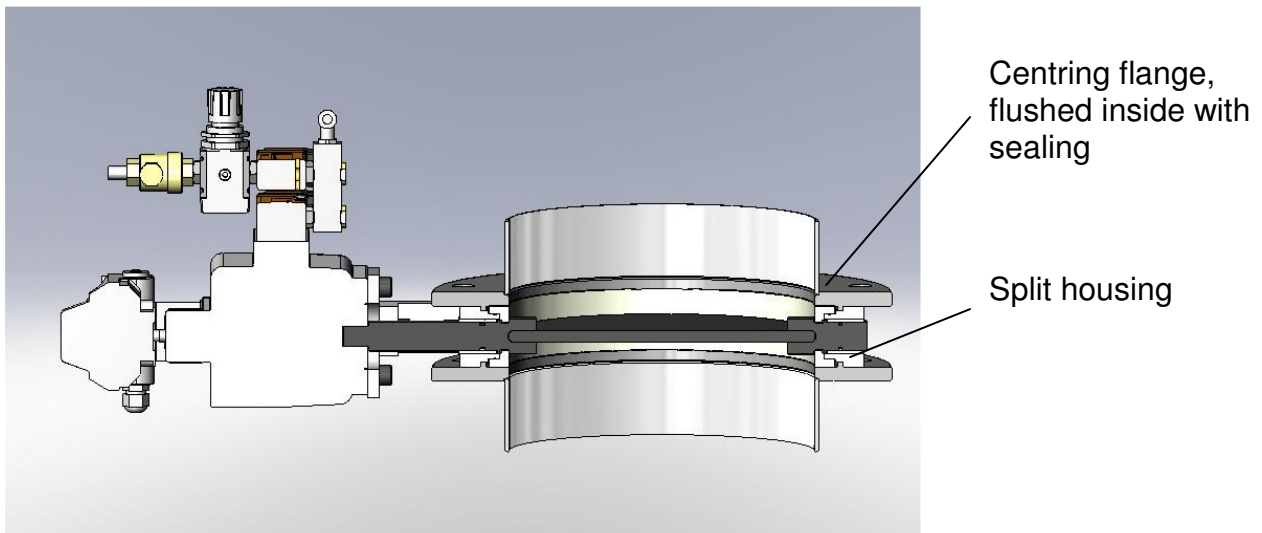
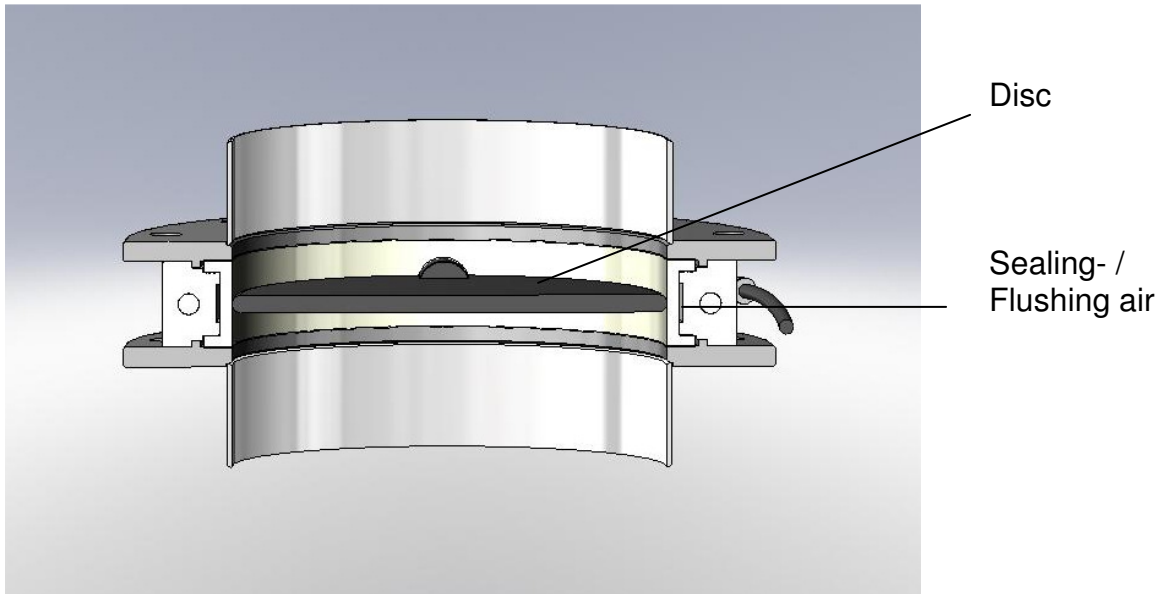


## Characteristics:

### Detail:

#### Sectional drawing through valve

Sealings at closed disc pneumatically pressed



Installation sizes: DN80, 100, 125, 150, 200, 250, 300, 350, 400, 500.

## GMP- / FDA-conform characteristics:

- Surface quality acc. to required Ra-value. Disc polished.
- Optionally electro polished.
- Cavity free.



**S.S.T.-Schüttguttechnik Maschinenbau GmbH**  
Lechwiesenstr. 21, 86899 Landsberg / Lech  
Tel. 0049 (0)8191-3359-50 / Fax 0049 (0)8191-3359-55  
Mail [SST@solids-service.de](mailto:SST@solids-service.de) [www.solids.de](http://www.solids.de)

