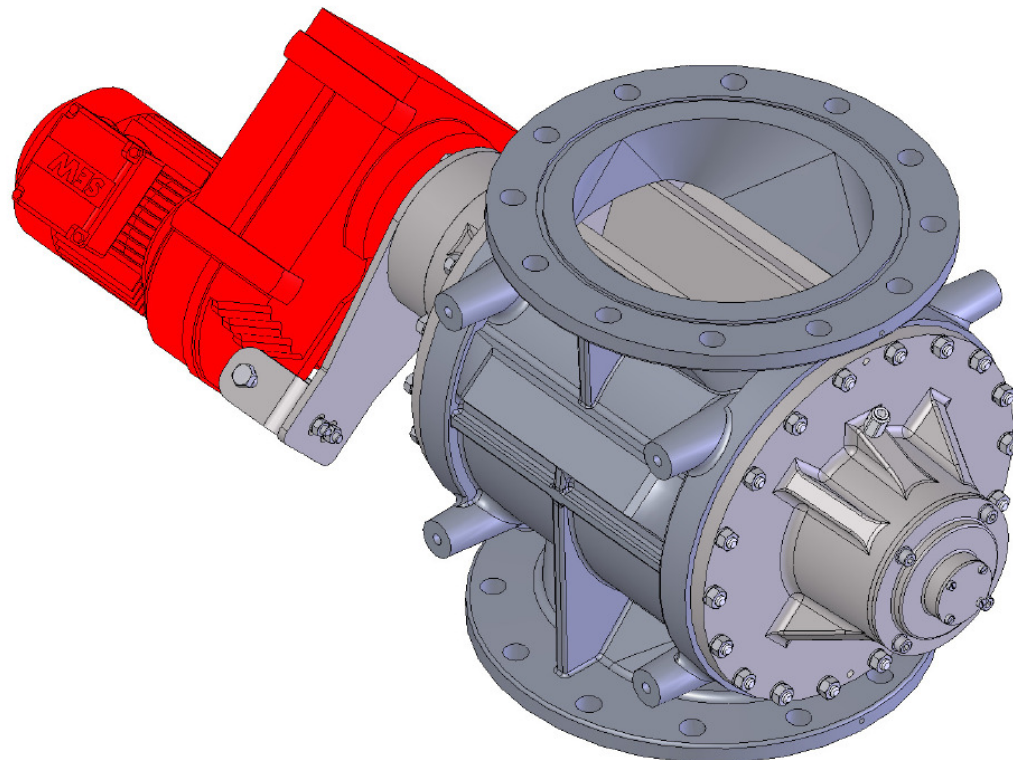


**solids Rotary Valve**  
**Type SRVP-Protective System**



**Rotary feeder for discharging and dosing, as protective system acc. ATEX for products with dust explosion risk**



**Advantages:**

**Pressure shock resistant 13 bar g and flame propagation proof,  
Protective system category 1 acc. ATEX-directive 2014/34/EU,  
Dust explosion category St2, zone 20 interior, dust explosion risk permanent, long-term, oftentimes, zone 21 exterior,  
with type examination test by notified body**

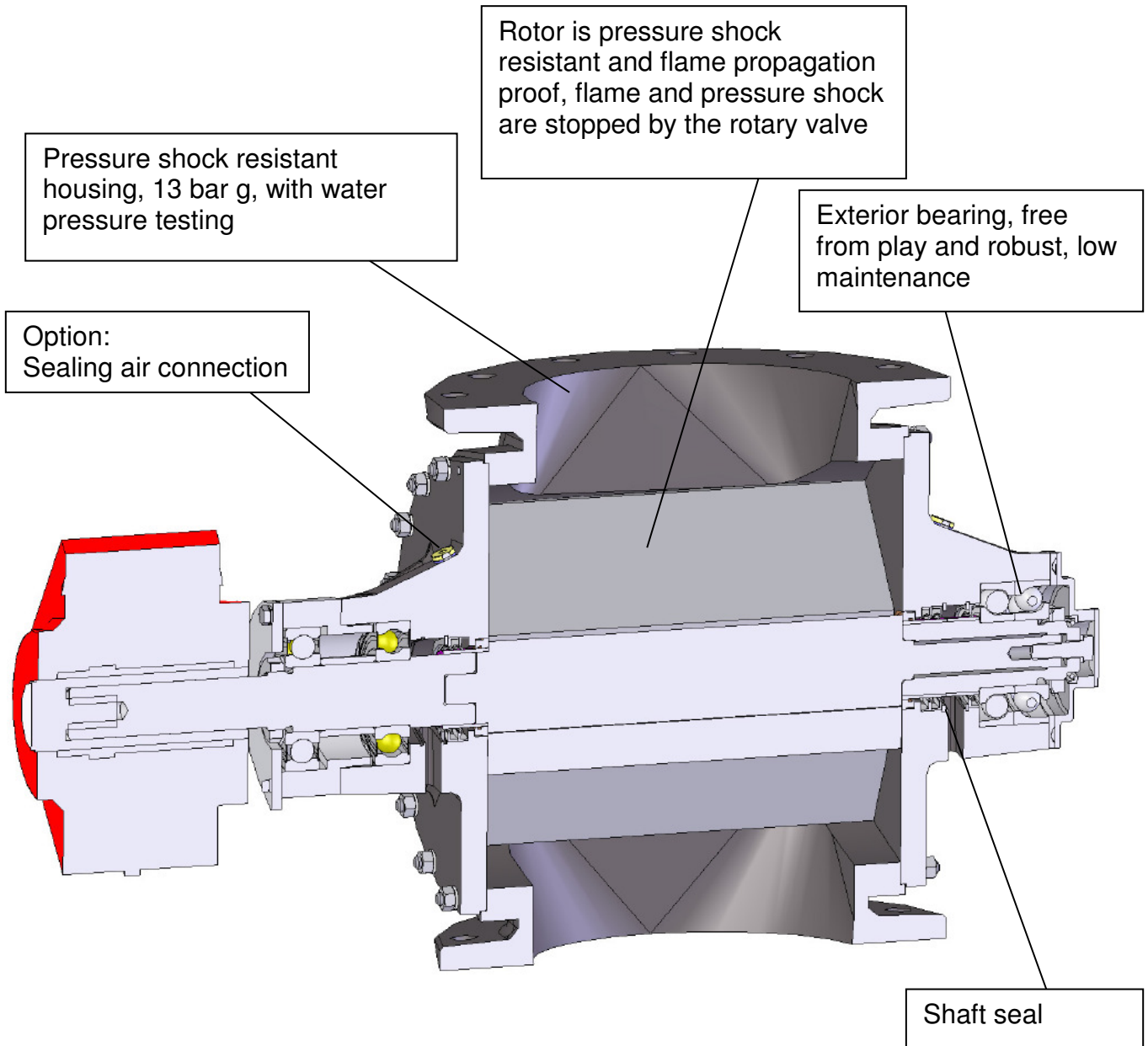
**Identification:**  | 1/2 D

**S.S.T.-Schüttguttechnik Maschinenbau GmbH**  
Lechwiesenstr. 21, 86899 Landsberg / Lech  
Tel. 0049 (0)8191-3359-50 / Fax 0049 (0)8191-3359-55  
Mail [info@solids-service.de](mailto:info@solids-service.de) [www.solids.de](http://www.solids.de)



# solids Rotary Valve

## Type SRVP-Protective System



Type	Ø In-/Outlet mm	Height mm	Flow rate ca. l/rotation	Material housing	Material rotor
SRVP150	150	320	3,5	Iron casting Special steel casting	Mild steel
SRVP200	200	375	7		Stainless steel
SRVP250	250	430	15		steel

### S.S.T.-Schüttguttechnik Maschinenbau GmbH

Lechwiesenstr. 21, 86899 Landsberg / Lech  
 Tel. 0049 (0)8191-3359-50 / Fax 0049 (0)8191-3359-55  
 Mail [info@solids-service.de](mailto:info@solids-service.de) [www.solids.de](http://www.solids.de)

