



Datasheet

solids - Self Cleaning Rotary Valve

RRS-Clean



Operating conditions:

Permissible operating pressure: 0,9 bar abs. till <0,5 bar g

Max. temperature: 150° C

Bulk solids data:

Particle size: Powdered, up to medium hardness,

Fluidity: from good up to difficult fluidity

Type *	Inlet / Outlet	Height	V / Revolution	Weight
RRS25009C01	250x250 mm	480 mm	8,97 dm ³	150 kg
RRS25010C01	250x300 mm	480 mm	10,68 dm ³	180 kg
RRS25014C01	250x400 mm	480 mm	14,11 dm ³	210 kg
RRS25017C01	250x500 mm	480 mm	17,53 dm ³	230 kg
RRS35024C01	350x350 mm	670 mm	24,48 dm ³	250 kg
RRS35034C01	350x500 mm	670 mm	34,40 dm ³	290 kg
RRS35041C01	350x600 mm	670 mm	41,02 dm ³	330 kg
RRS35047C01	350x700 mm	670 mm	47,64 dm ³	370 kg
RRS50070C01	500x500 mm	970 mm	70,25 dm ³	450 kg
RRS50083C01	500x600 mm	970 mm	83,76 dm ³	500 kg
RRS50097C01	500x700 mm	970 mm	97,27 dm ³	550 kg
RRS500110C01	500x800 mm	970 mm	110,78 dm ³	600 kg

* further intermediate sizes on request

Basical version:

Body: welded steel construction - stainless steel 1.4306

Rotor: welded steel construction - stainless steel 1.4306

5 chambers, adjustable blades

Forced scraper, counter-rotating with respect to the rotor; ensure complete emptying of the chambers, replaceable, adjustable

External separated bearing

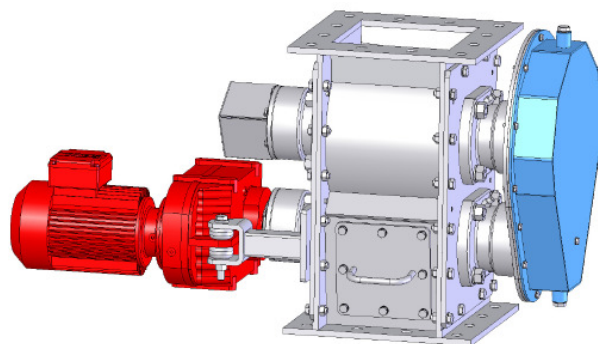
Shaft seal: gland packings with sealing/purge air connection

Drive: direct Motor: three-phase geared motor

Make: SEW, specified separately

Design: Shaftmounted gear with torque arm

Surface treatment: pickled or brushed and passivated



approval:	MIGSA	SST		H. Linder	
	Date:	Sign:	Date:	Sign:	Date:
			11.3.13	Le	11.3.13
					Li

Preliminary
modifications reserved



solids solutions group
www.solids.eu



Datasheet

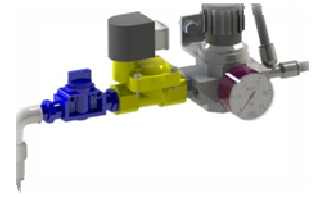
solids - Self Cleaning Rotary Valve

RRS-Clean



Optionen:

1. Body, rotor and scraper made of 1.4404
2. Body, rotor and scraper made of 1.4571
3. Inlet for granules, grain size $>500 \mu\text{m}$, made of stainless steel 1.4306 incl. connection parts, together assembled
4. Leakage air collector with granule inlet, grain size $> 500 \mu\text{m}$, made of stainless steel 1.4306 incl. connection parts, together assembled
5. Leakage air collector for non-granules, made of stainless steel 1.4306 incl. connection parts, together assembled
6. Blowing shoe for pneumatic transport made of stainless steel 1.4306 incl. connection parts, together assembled
7. With M12 inductive detector for turning detection
8. Pneumatic installation for sealing/purge air, consisting of 2/2-way solenoid valve, pressure regulator and nozzle.
9. Electric components outside suitable for zone 2/22
10. Electric components outside suitable for zone 1/21



Related documents:

3D-Part: Type.step (example: **RRS25009C01**. Step)

2D-planning drawing: Type.dxf (example: **RRS25009C01**. dxf)

Selection criteria: SG-RRS

Pricelist: PL-RRS-Clean



solids solutions group
www.solids.eu