



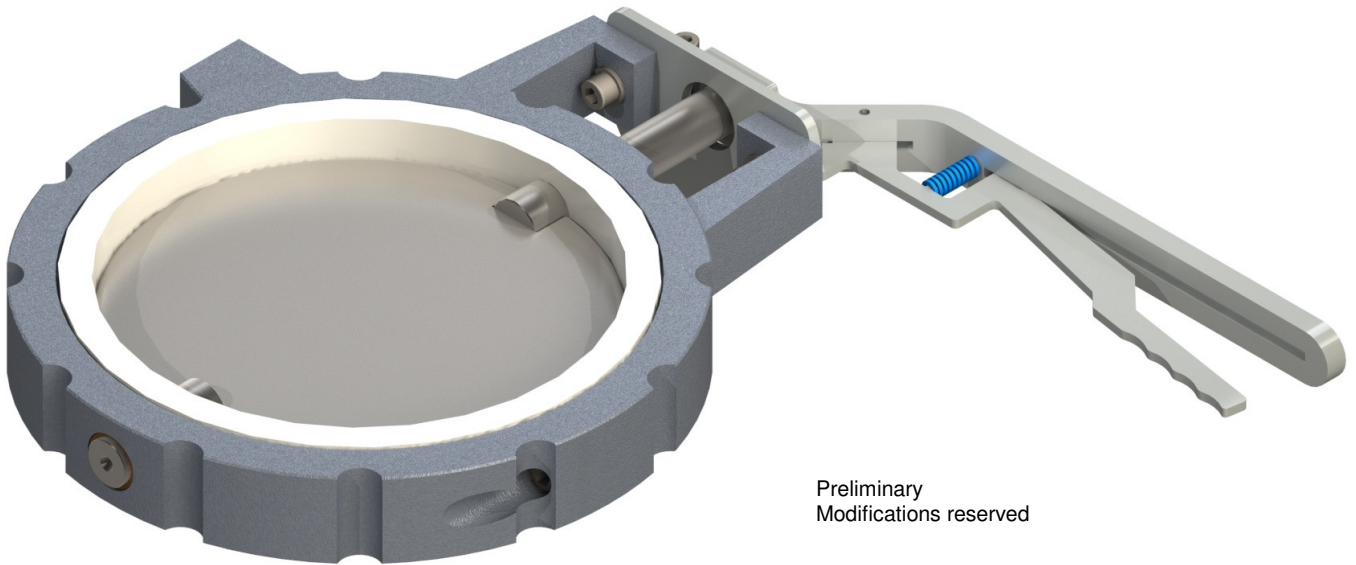
# Datasheet solids - Butterfly Valve DKH - Basic



## Special design for bulk solids

### Operation purpose:

The valve is dust tight, pressure tight and suitable for vacuum; for sealing silos, vessels and pipelines.



Preliminary  
Modifications reserved

### Advantages:

- TÜV certified and approved as pressure equipment directive according to 2014/68/EU directive
- Simple, cost effective assembly
- Less installation height
- Easily replaceable seal due to the vertically split housing
- Easy to maintain

Approval	HSS ES		HSS DE	
	Date: 08.02.21	Sign: Ru	Date: 10.2.21	Sign: Le

**Hosokawa solids solutions**  
[www.solids.eu](http://www.solids.eu)





# Datasheet solids - Butterfly Valve DKH - Basic



## Operating conditions:

Maximum product temperature: 80°C.

Maximum / minimum ambient temperature:  $-25\text{ °C} \leq T \leq 80\text{ °C}$ .

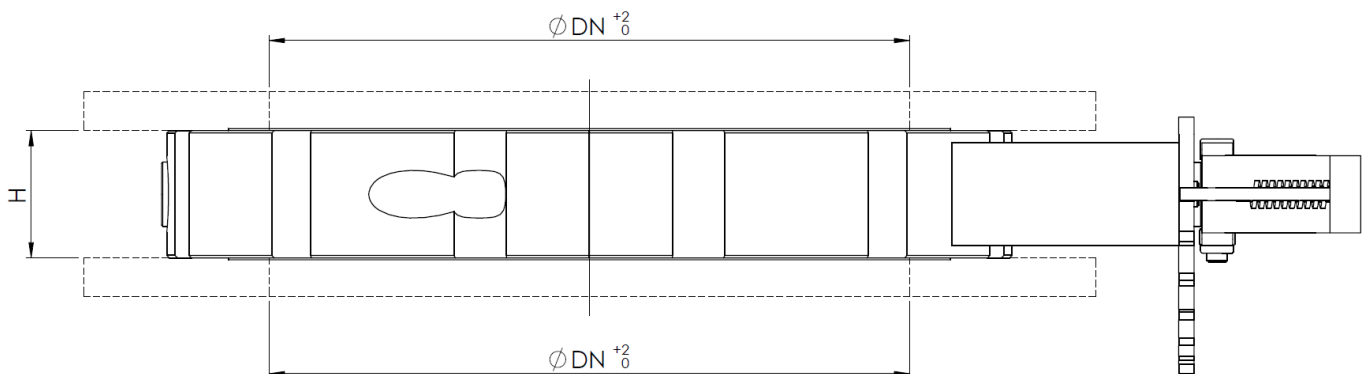
Suitable for vacuum up to 0,1 bar absolute.

Bulk solid data:

Powder form up to medium hardness.

Free flowing up to medium flowing products.

Type	DN (mm)	Seal tightness	H (mm)	Weight (kg)
<b>DKH35B01</b>	DN 350	1,5 bar	60	20
<b>DKH40B01</b>	DN 400	1,5 bar	70	28
<b>DKH50B01</b>	DN 500	1,5 bar	80	38



The device described below does not have any source of ignition. Therefore, it does not apply the ATEX Directive 2014/34/EU and are authorized to contain potentially explosive atmospheres (zones 20-21-22) inside.

The electrical equipment must be specified separately and duly certified for the corresponding ATEX zone.

**Hosokawa solids solutions**  
[www.solids.eu](http://www.solids.eu)

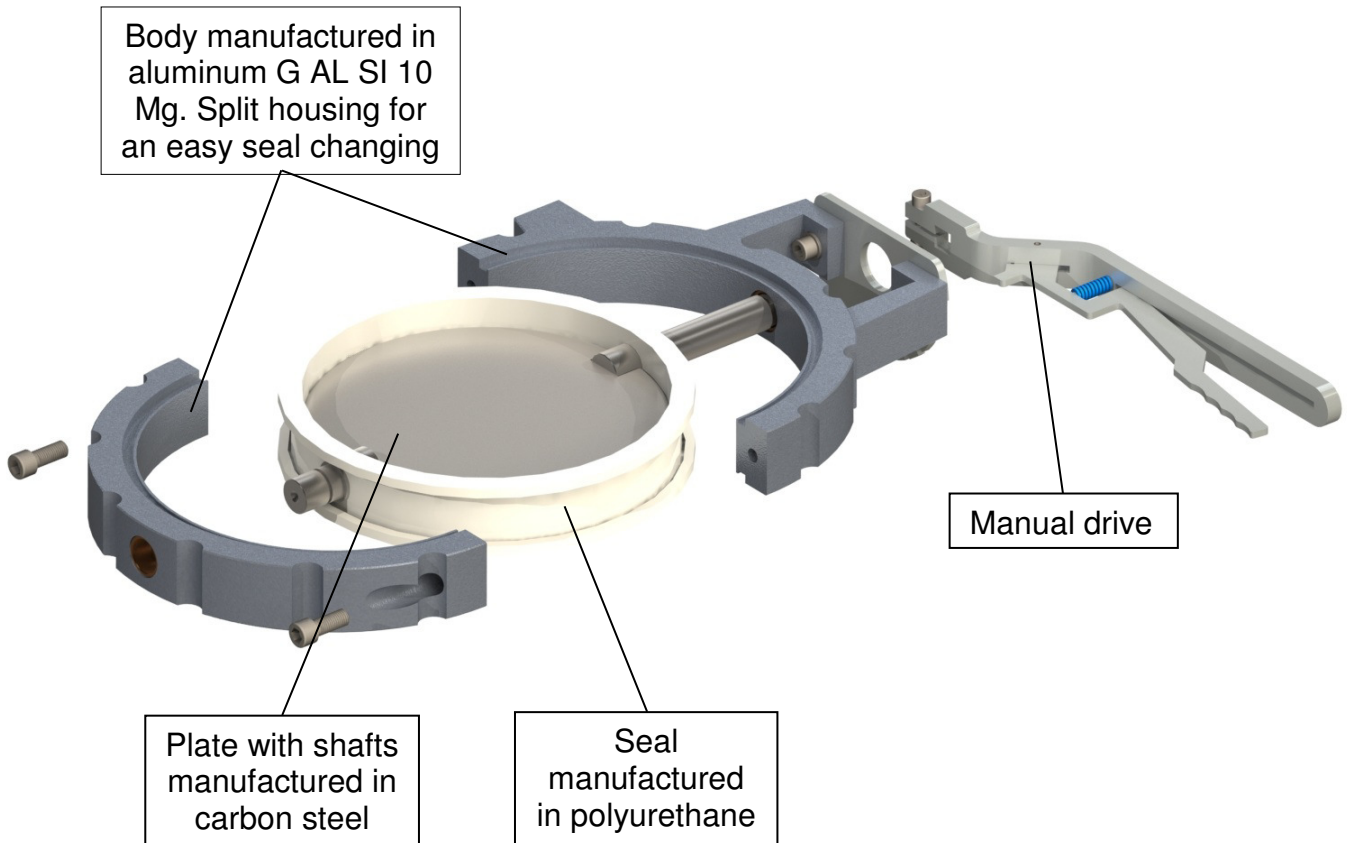




# Datasheet solids - Butterfly Valve DKH - Basic



## Basical version:



Assembly between PN6 or PN10 flanges according to DIN 2373 or DIN 2576 respectively, with special inner diameter, same as the nominal diameter of the valve.

Surface treatment:

Body: epoxy oven-cured powder coating, 180µm.

Plate: chemical stripping, primer 40 µm of zinc phosphate.

**Hosokawa solids solutions**  
[www.solids.eu](http://www.solids.eu)



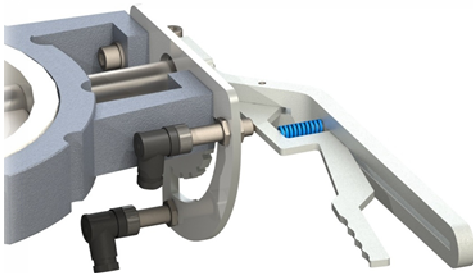


# Datasheet solids - Butterfly Valve DKH - Basic



## Options:

1. With sealing manufactured in silicon, suitable for maximum product temperature up to 200°C.
2. With a steel sealing, for product temperature higher than 200°C, dust tight. Manufactured in stainless steel 1.4307 (DIN) / 304L (AISI).
3. –
4. With inductive sensors.
5. –
6. With inductive sensor suitable for zone 21 Atex EX II 2D.
7. –
8. –
9. With inductive sensor suitable for zone 22 Atex EX II 3D.



## Related documents:

- 3D-Part: Type.step (example: **DKH35B01**.step)  
2D-planning drawing: Type.dxf (example: **DKH35B01**.dxf)  
Selection criteria: SG-FSP-FSH-DKA-DKH  
Pricelist: PL-DKH-Basic  
List of drawing numbers: Draw-No-List\_DKH-Basic

**Hosokawa solids solutions**  
[www.solids.eu](http://www.solids.eu)

