



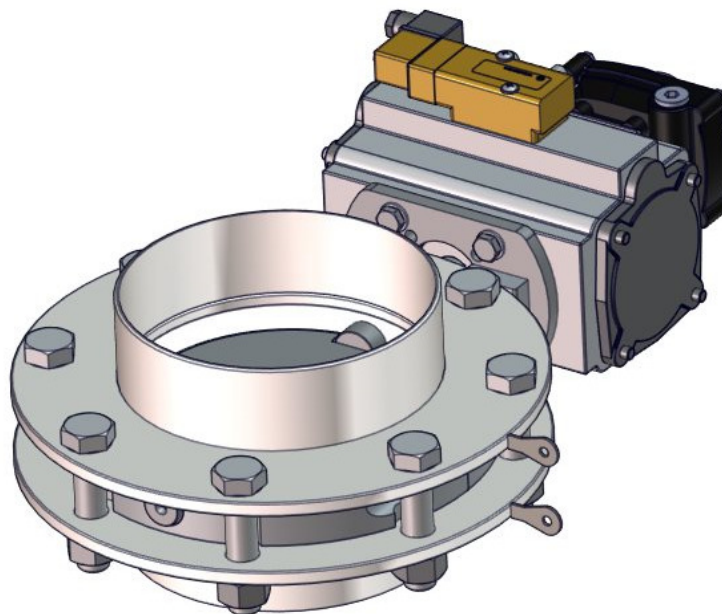
**Datasheet
solids-Disc Valve
DKA-Hygienic**



**Special design for bulk solids,
Hygienic Design acc. to EHEDG-Guidelines**

Operation purpose:

The disc valve is used for dust tight and (as an option) pressure tight locking of a hopper with bulk solids, or as a locking valve in pipelines for gases.



Advantages:

- **Dust-proof, pressure-tight, vacuum-tight locking device**
- **fulfills EU-Regulation 93/43/EG guideline about foodstuffs hygiene and 2006/42/EG Machinery directive**
- **fulfills GMP- / FDA-requirements and DIN EN 1672-2**
- **easy dismantling, easy cleaning by split housing**
- **TÜV-certified and accredited acc. to pressure equipment directive 2014/68/EU**
- **Easy, cost-efficient assembling**
- **Low construction height**
- **Sealing easy to replace by vertical split housing**

Freigabe:	MIGSA	SST	H. Linder	
Datum:	Kurzzeichen:	Datum:	Kurzzeichen:	Datum:
		14.10.2016	Le	14.10.2016
				Li

Preliminary
Änderungen vorbehalten



solids solutions group
www.solids.eu



Datasheet solids-Disc Valve DKA-Hygienic



Operating conditions:

- Product temperature max.: 80 °C
- Pressure tight > 0,1 bar abs. up to 1,5 bar overpressure
- Max/Min ambient temperature: -25 °C ≤ T ≤ 50 °C (80°C without solenoid valve)
- Suitable for vacuum
- Bulk solids data: Powdered till granulates, up to middle hardness, from free flowing up to limited flowing products

Type	Diameter	Height	Weight
DKA05Y01*	DN 50 mm	160 mm	6 kg
DKA08Y01	DN 80 mm	160 mm	7 kg
DKA10Y01	DN 100 mm	164 mm	7 kg
DKA12Y01*	DN 125 mm	168 mm	9 kg
DKA15Y01	DN 150 mm	172 mm	15 kg
DKA20Y01	DN 200 mm	180 mm	18 kg
DKA25Y01	DN 250 mm	190 mm	26 kg
DKA30Y01	DN 300 mm	200 mm	36 kg
DKA35Y01	DN 350 mm	200 mm	39 Kg
DKA40Y01	DN 400 mm	210 mm	48 Kg
DKA50Y01	DN 500 mm	220 mm	56 kg

* only with silicon-sealing

This is not an equipment according ATEX-directive 2014/34/EU, but in contact with product (inside) usable in the zones 20-21-22. Additional electrical parts must be approved for the chosen ATEX-zone.



solids solutions group
www.solids.eu



Datasheet solids-Disc Valve DKA-Hygienic

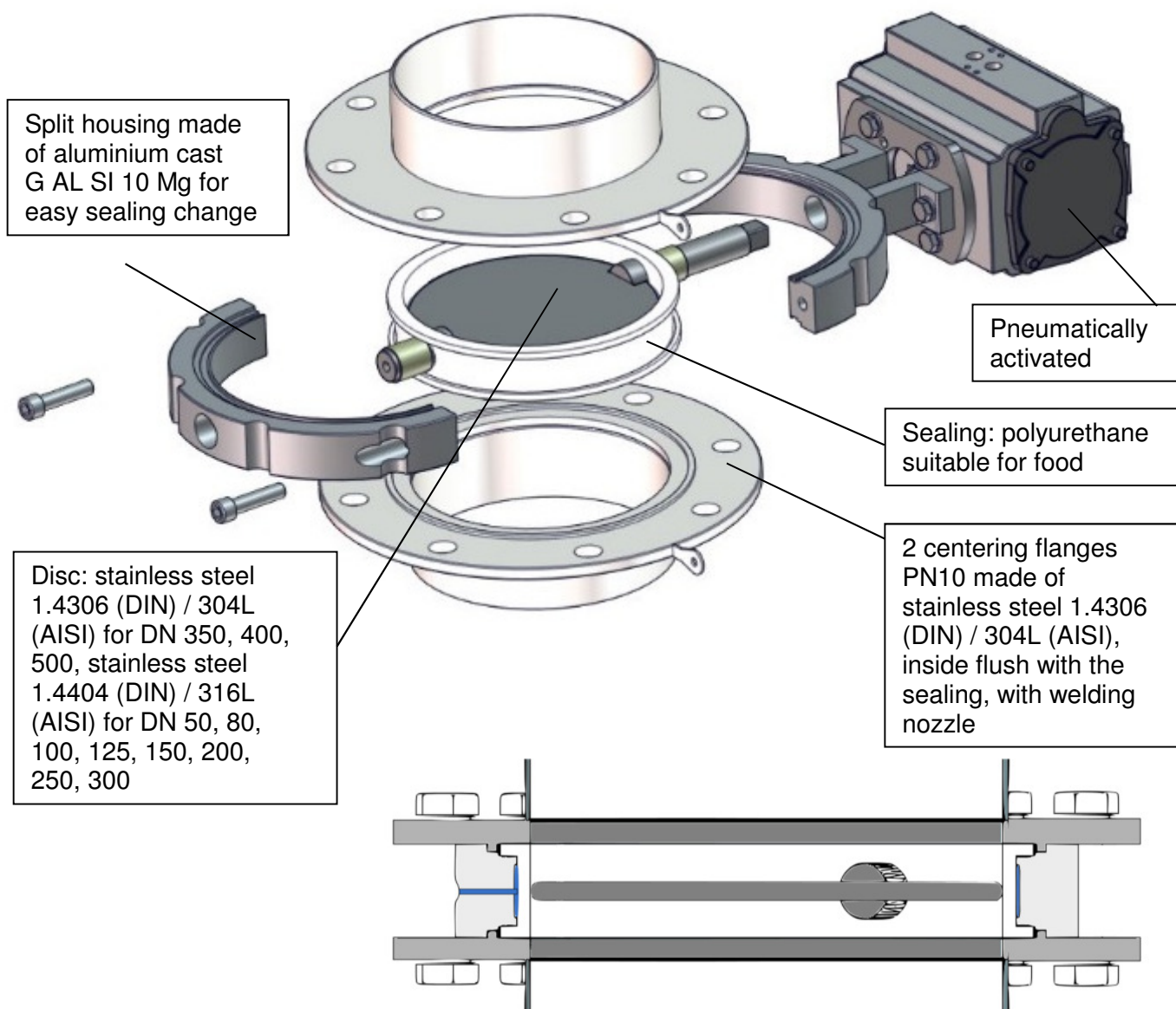


Basical version:

Hygienic design for food, pharmaceutical, cosmetics and chemical industry
free of dead zones and free of gaps

Surfaces in contact with the product: Ra < 0,8 µm (steel), weldings inside polished Ra < 0,8 µm,
outside Ra < 3,0 µm

According to EU regulations, machinery directive, EHEDG-guidelines and DIN1672-2



Surface treatment: housing epoxy-powder-coated, 180µm
stainless steel parts: pickled or brushed and passivated



solids solutions group
www.solids.eu

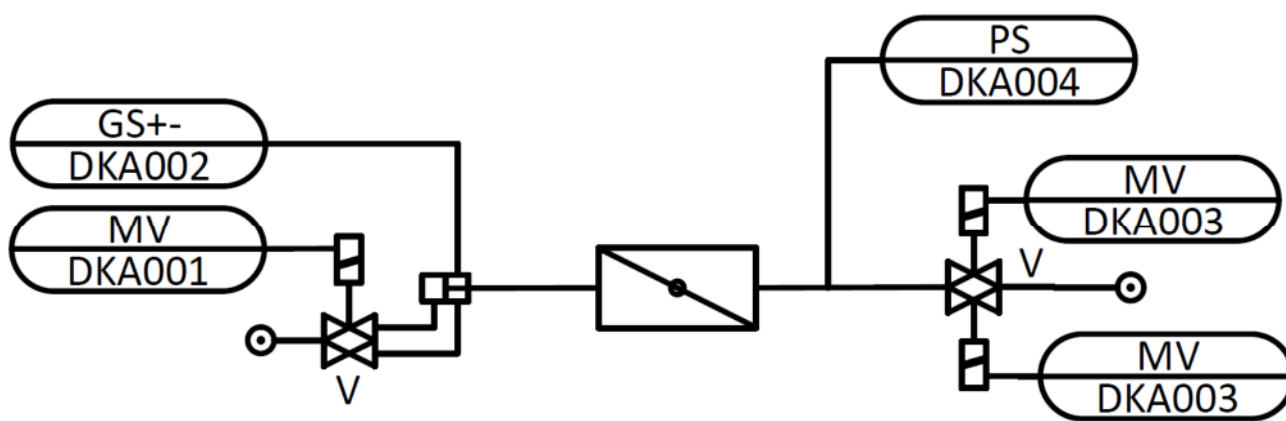


Datasheet solids-Disc Valve DKA-Hygienic



Electric parts and sensors:

	Manufacturer	Type	Denomination
Drive			
DKA001	Namur-solenoid valve actuator	Norgren	9710000
DKA002	Inductive initiators	IFM	IN5225
Inflatable sealing			
DKA003	Solenoid valve inflatable sealing	Norgren	2623100
DKA004	Pressure switch inflatable sealing	Wika	PSM02



solids solutions group
www.solids.eu

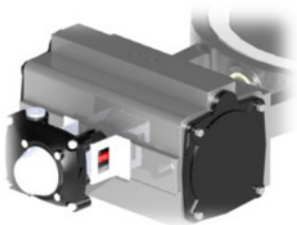


Datasheet solids-Disc Valve DKA-Hygienic

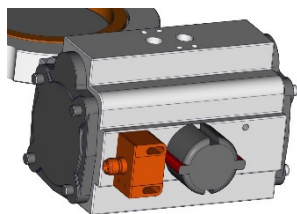


Options:

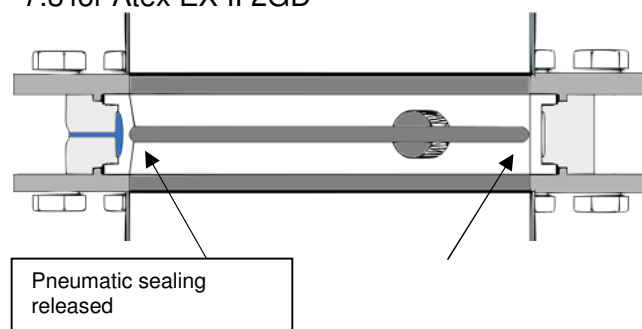
1. Disc: stainless steel 1.4404 (DIN) / 316L (AISI)
for DN 350, 400, 500.
2. Stainless steel parts electro polished
3. With silicon-sealing up to 200 °C
4. With mechanical limit switches
 - 4.1 EX-free
 - 4.2 for Atex EX II 3GD
 - 4.3 for Atex EX II 2GD
7. Pressure tight up to 3 bar ov (DN50-300), up to 1,5 bar ov (DN400+500), with food-safe polyurethane inflatable sealing joint, inclusive pneumatic installation, consisting of 5/2-way solenoid valve, pressure controller and pressure switch
 - 7.1 EX-free
 - 7.2 for Atex EX II 3GD
 - 7.3 for Atex EX II 2GD



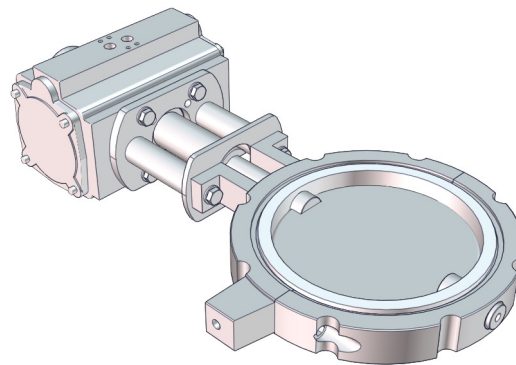
5. With inductive detectors
 - 5.1 EX-free
 - 5.2 for Atex EX II 3GD
 - 5.3 for Atex EX II 2GD



6. With Namur solenoid valve
 - 6.1 EX-free
 - 6.2 for Atex EX II 3GD
 - 6.3 for Atex EX II 2GD



8. With offset drive



Associated documents:

- 3D-part: Type.step (e.g.: **DKA20Y01**. Step)
2D layout drawing: Type.dxf (e.g.: **DKA20Y01**. dxf)
Selection guide: SG-FSP-FSH-DKA-DKH
Price list: PL-DKA-Hygienic
List of drawing numbers: Draw-No-List_DKA-Hygienic



solids solutions group
www.solids.eu