



Datasheet solids - Butterfly Valve DKA-D - Clean

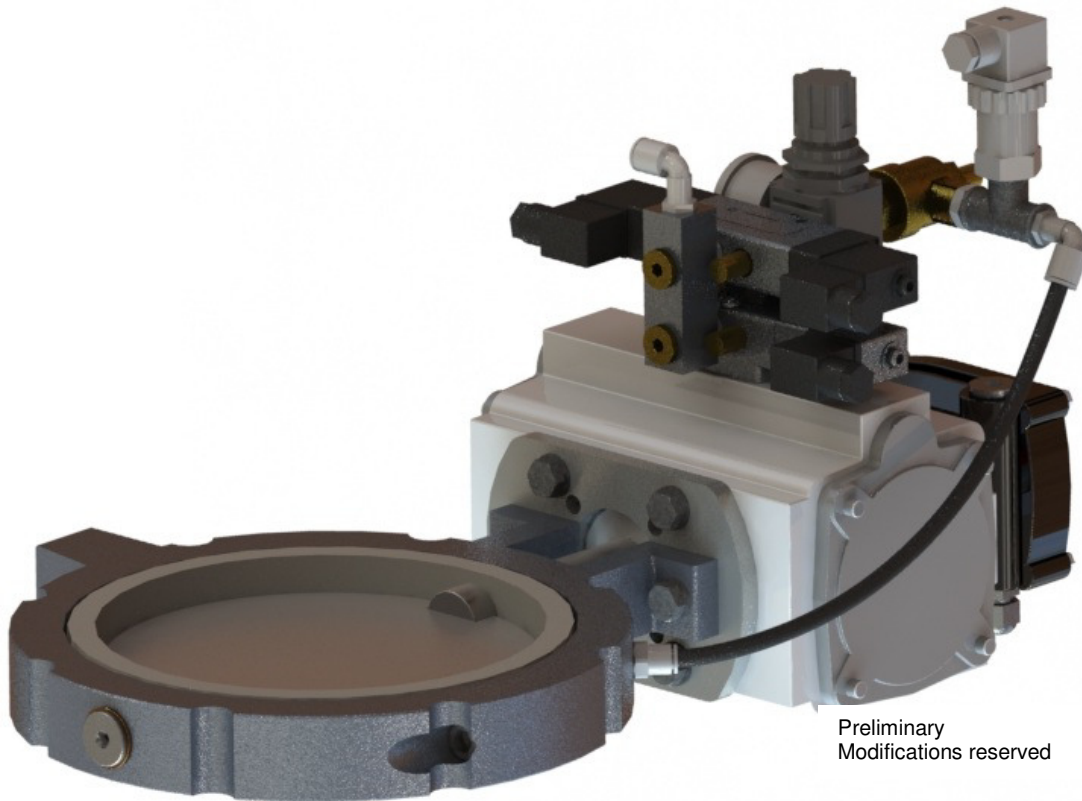


Part of **HOSOKAWA ALPINE**

Special design for bulk solids

Operation purpose:

The valve is dust tight, pressure tight and suitable for vacuum; for sealing silos, vessels and pipelines.



Preliminary
Modifications reserved

Advantages:

- TÜV certified and approved as pressure equipment directive according to 2014/68/EU directive
- Simple, cost effective assembly
- Less installation height
- Easily replaceable seal due to the vertically split housing
- Easy to maintain
- High durability even with abrasive materials

Approval	HSS ES		HSS DE	
	Date: 03.02.21	Sign: Ru	Date: 03.02.21	Sign: Le

Hosokawa solids solutions
www.solids.eu





Datasheet solids - Butterfly Valve DKA-D - Clean



Part of **HOSOKAWA ALPINE**

Operating conditions:

Maximum product temperature: 80°C.

Minimum / maximum ambient temperature: $-25\text{ °C} \leq T \leq 50\text{ °C}$ (80°C without solenoid valve).

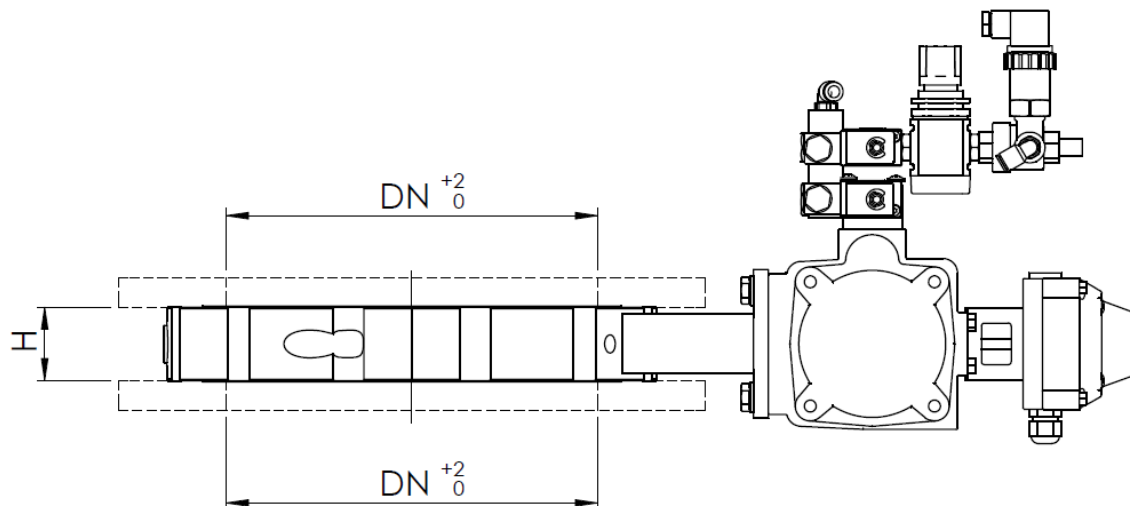
Suitable for vacuum up to 0,1 bar absolute.

Bulk solids data:

Powder form, for abrasive products.

Free flowing up to medium flowing products.

Reference	DN (mm)	Seal tightness	H (mm)	Weight (kg)
DKD15C01	DN 150	3 bar	32	13,2
DKD20C01	DN 200	3 bar	40	16
DKD25C01	DN 250	3 bar	50	23
DKD30C01	DN 300	3 bar	60	33
DKD35C01	DN 350	3 bar	60	35
DKD40B01	DN 400	1,5 bar	70	44
DKD50C01	DN 500	1,5 bar	80	51



The device described below does not have any source of ignition. Therefore, it does not apply the ATEX Directive 2014/34/EU and are authorized to contain potentially explosive atmospheres (zones 20-21-22) inside.

The electrical equipment must be specified separately and duly certified for the corresponding ATEX zone.

Hosokawa solids solutions
www.solids.eu



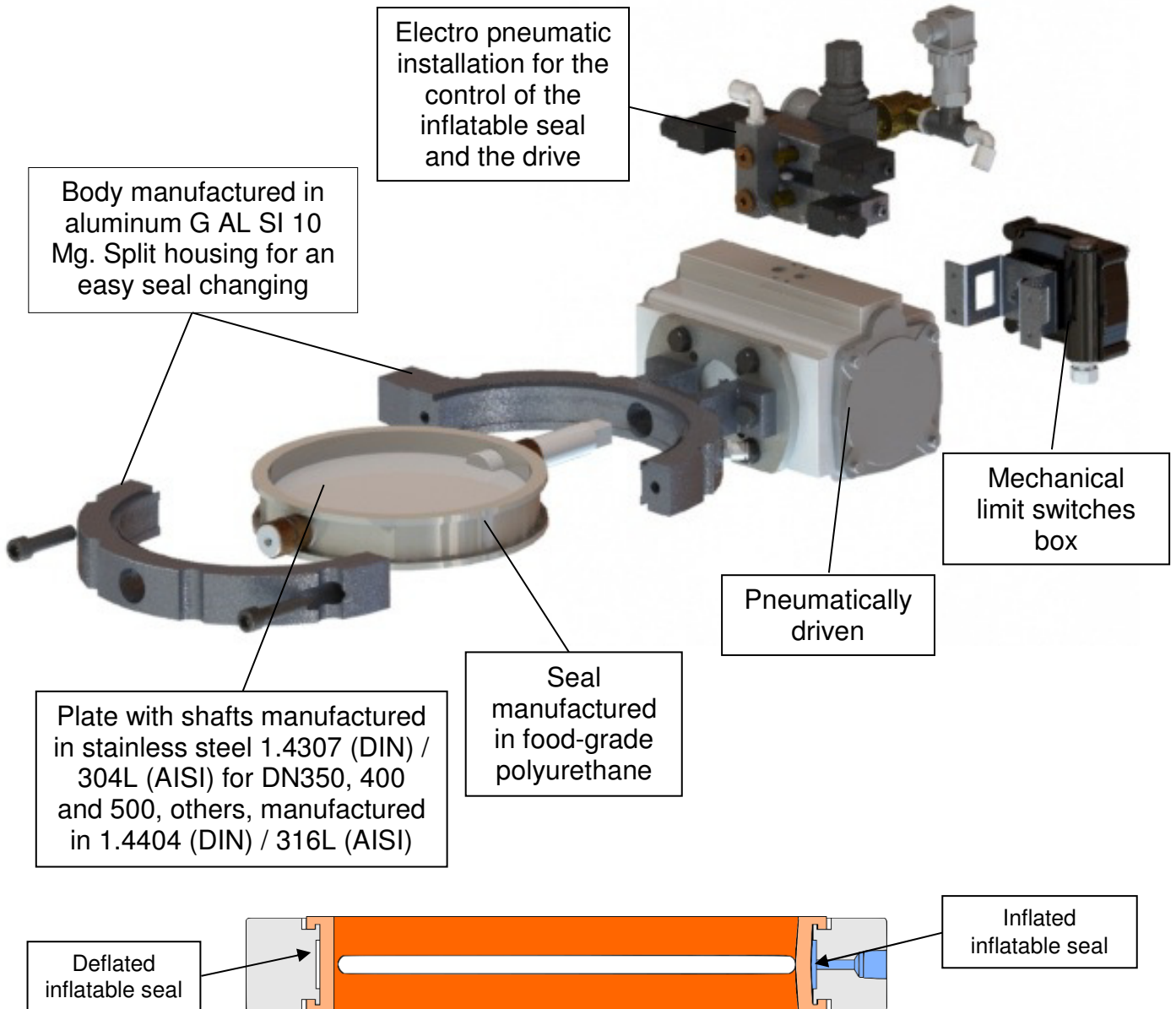


Datasheet solids - Butterfly Valve DKA-D - Clean



Part of **HOSOKAWA ALPINE**

Basical version:



Assembly between PN6 or PN10 flanges according to DIN 2373 or DIN 2576 respectively, with special inner diameter, same as the nominal diameter of the valve.

Surface treatment:

Body: epoxy oven-cured powder coating, 180µm.

Plate: stripped and passivated.

Hosokawa solids solutions
www.solids.eu





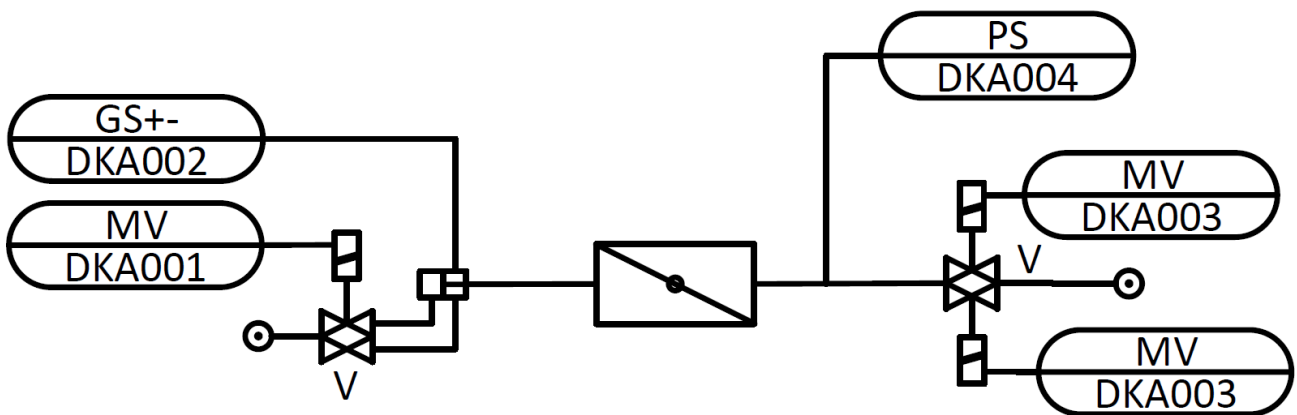
Datasheet solids - Butterfly Valve DKA-D - Clean



Part of **HOSOKAWA ALPINE**

Electric parts and sensors:

	Denomination	Manufacturer	Type
Execution			
DKA001	5/2 solenoid valve	Norgren	9710000
DKA002	Mechanical limit switches box	ACTREG	ALS-200
DKA002 <i>(option 2)</i>	Inductive sensor	IFM	IN 5225
Inflatable seal			
DKA003	5/2 solenoid valve	Norgren	2623100
DKA004	Pressure switch	Wika	PSM02





Datasheet solids - Butterfly Valve DKA-D - Clean

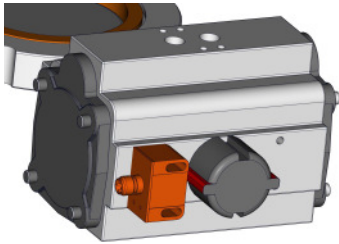


Part of **HOSOKAWA ALPINE**

Options:

1. With sealing manufactured in silicon, suitable for maximum product temperature up to 200°C.

2. With inductive sensor.

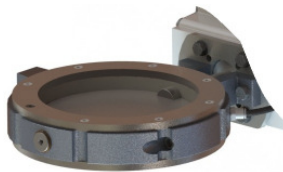


3. With mechanical limit switches suitable for zone 21 Atex EX II 2D.

4. With inductive sensor suitable for zone 21 Atex EX II 2D.

5. With electro pneumatic installation for the butterfly valve's control suitable for zone 21 Atex EX II 2D.

6. With two bolted flanges, with the same inner diameter as the sealing.



Used in case that the fixing flanges has not the required inner diameter or when there are installations and maintenance problems.



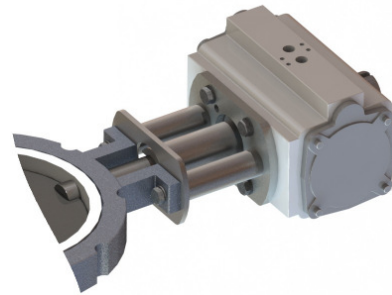
7. Plate and shafts manufactured in stainless steel 1.4404 (DIN) / 316L (AISI) for DN350, 400 and 500.

8. With mechanical limit switches suitable for zone 22 Atex EX II 3D.

9. With inductive sensor suitable for zone 22 Atex EX II 3D.

10. With electro pneumatic installation for the butterfly valve's control suitable for zone 22 Atex EX II 3D.

11. With offset drive.



Related documents:

3D-Part: Type.step (example: **DKD15C01**. Step)

2D-planning drawing: Type.dxf (example: **DKD15C01**. dxf)

Selection criteria: SG-FSP-FSH-DKA-DKH

Pricelist: PL-DKA-D-Clean

List of drawing numbers: Draw-No-List_DKA-D-Clean

Hosokawa solids solutions
www.solids.eu

