



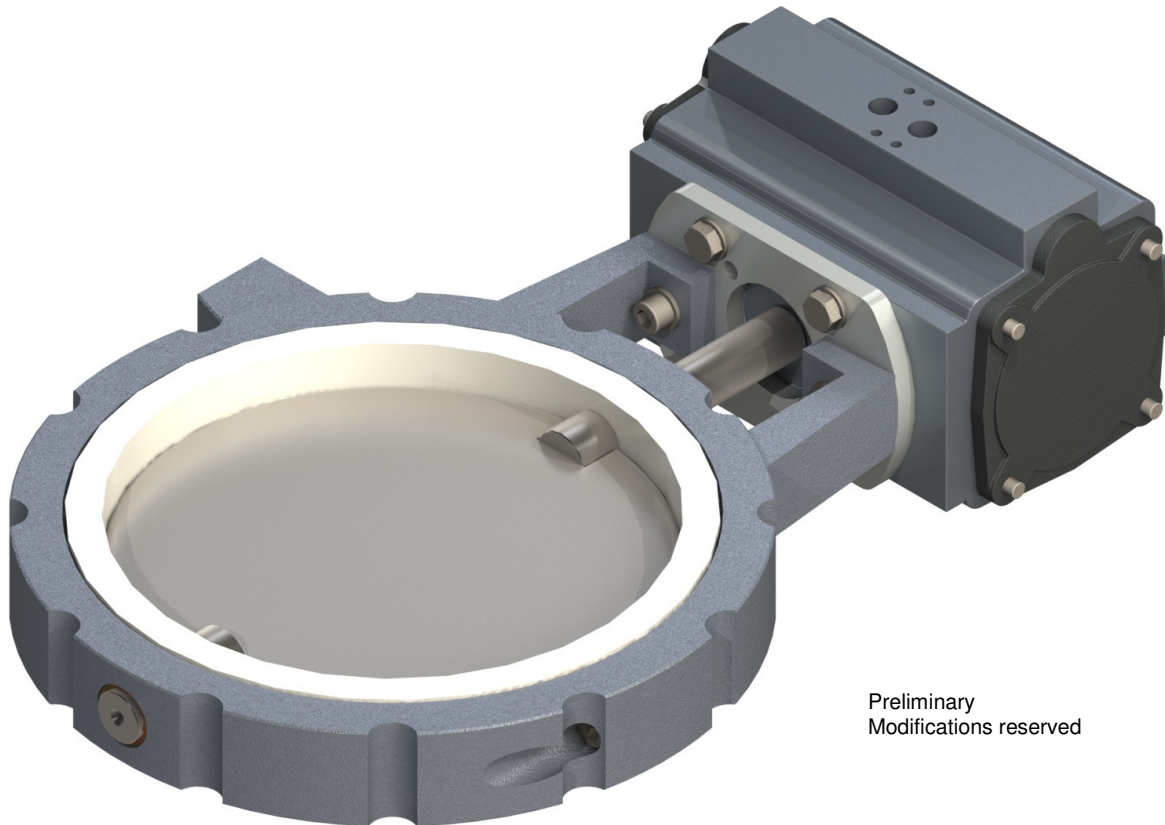
Datasheet solids - Butterfly Valve DKA - Basic



Special design for bulk solids

Operation purpose:

The valve is dust tight, pressure tight and suitable for vacuum; for sealing silos, vessels and pipelines.



Preliminary
Modifications reserved

Advantages:

- TÜV certified and approved as pressure equipment directive according to 2014/68/EU directive
- Simple, cost effective assembly
- Less installation height
- Easily replaceable seal due to the vertically split housing
- Easy to maintain

Approval	HSS ES		HSS DE	
	Date: 08.02.21	Sign: Ru	Date: 9.2.21	Sign: Le

Hosokawa solids solutions
www.solids.eu





Datasheet solids - Butterfly Valve DKA - Basic



Operating conditions:

Maximum product temperature: 80°C.

Maximum / minimum ambient temperature: $-25\text{ °C} \leq T \leq 50\text{ °C}$ (80°C without solenoid valve).

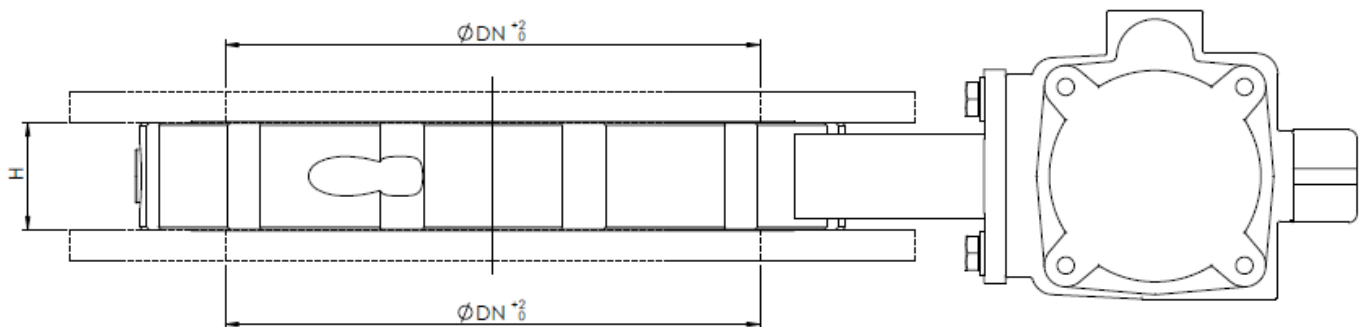
Suitable for vacuum up to 0,1 bar absolute.

Bulk solid data:

Powder form up to medium hardness.

Free flowing up to medium flowing products.

Type	DN (mm)	Seal tightness	H (mm)	Weight (kg)
DKA35B01	DN 350	1,5 bar	60	35
DKA40B01	DN 400	1,5 bar	70	43
DKA50B01	DN 500	1,5 bar	80	50



The device described below does not have any source of ignition. Therefore, it does not apply the ATEX Directive 2014/34/EU and are authorized to contain potentially explosive atmospheres (zones 20-21-22) inside.

The electrical equipment must be specified separately and duly certified for the corresponding ATEX zone.

Hosokawa solids solutions
www.solids.eu

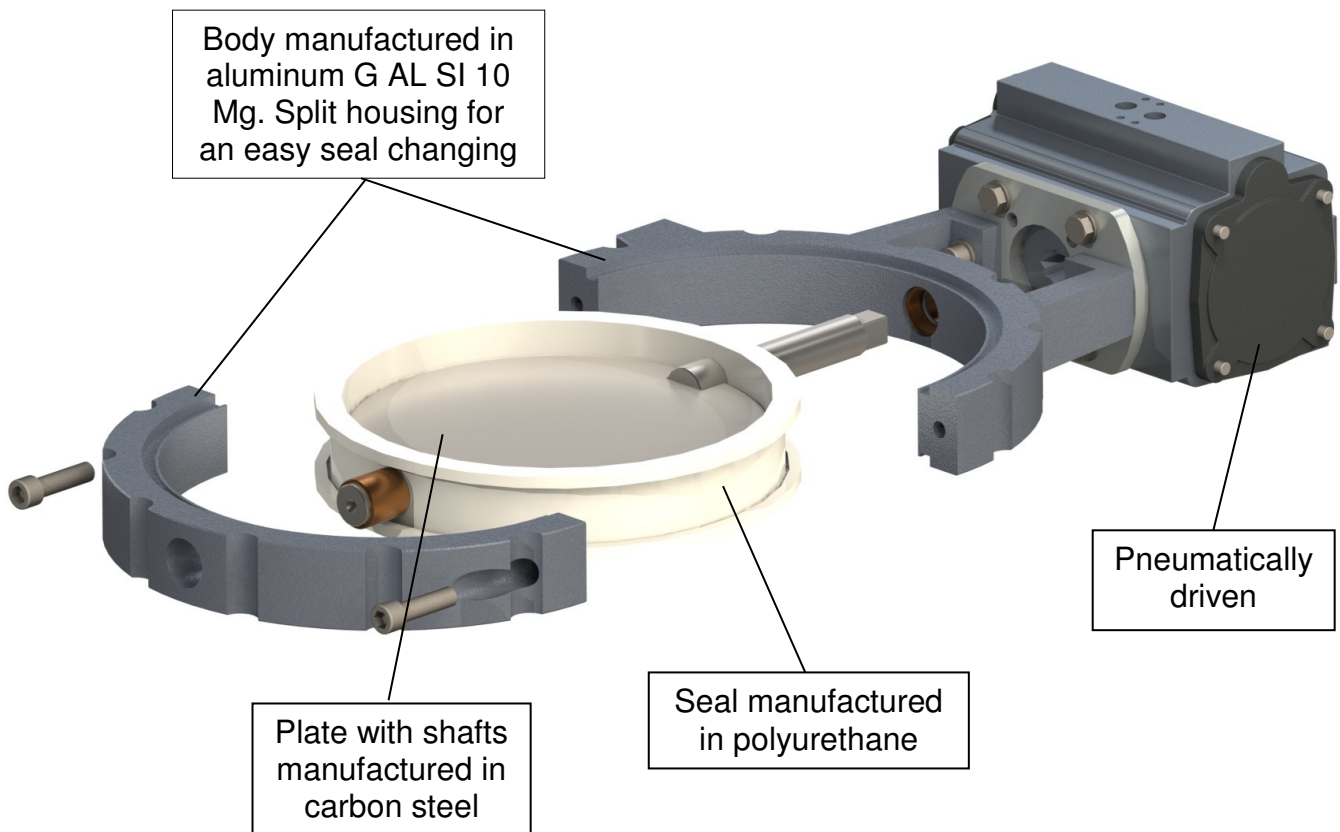




Datasheet solids - Butterfly Valve DKA - Basic



Basical version:



Assembly between PN6 or PN10 flanges according to DIN 2373 or DIN 2576 respectively, with special inner diameter, same as the nominal diameter of the valve.

Surface treatment:

Body: epoxy oven-cured powder coating, 180µm.

Plate: chemical stripping, primer 40 µm of zinc phosphate.

Hosokawa solids solutions
www.solids.eu



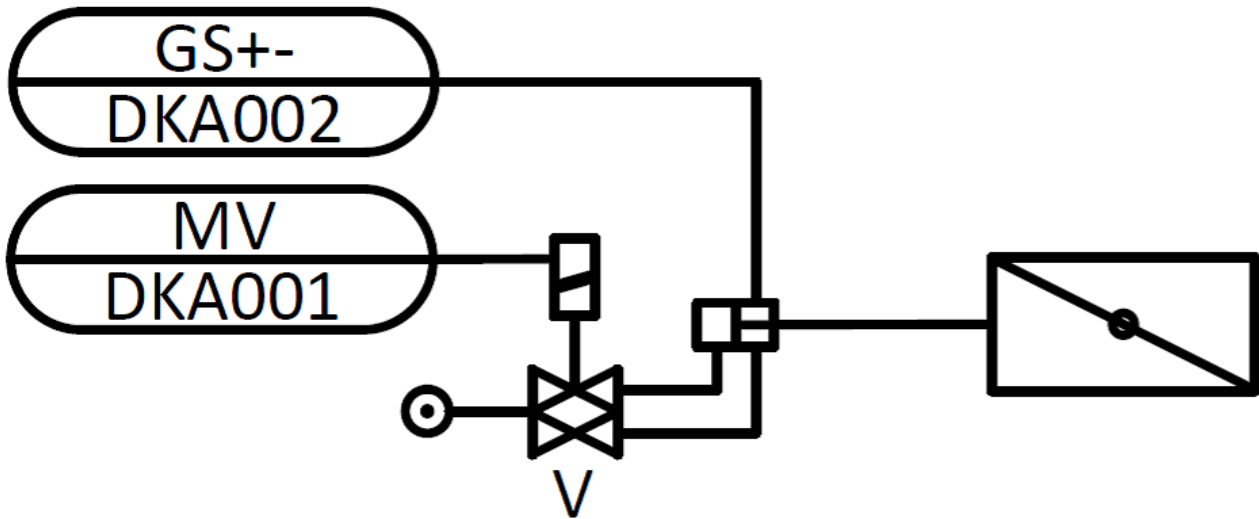


Datasheet solids - Butterfly Valve DKA - Basic



Electric parts and sensors:

	Denomination	Manufacturer	Type
DKA001 <i>(option 5)</i>	5/2 Namur solenoid valve	Norgren	9710000
DKA002 <i>(option 3)</i>	Mechanical limit switches box	ACTREG	ALS-200
DKA002 <i>(option 4)</i>	Inductive sensor	IFM	IN5225



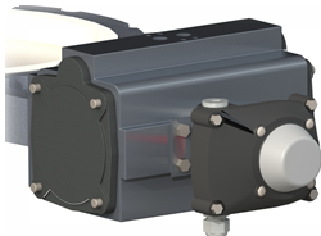


Datasheet solids - Butterfly Valve DKA - Basic



Options:

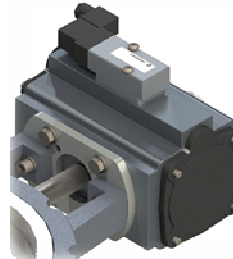
1. With sealing manufactured in silicon, suitable for maximum product temperature up to 200°C.
2. With a steel sealing, for product temperature higher than 200°C, dust tight. Manufactured in stainless steel 1.4307 (DIN) / 304L (AISI).
3. With mechanical limit switches box.



4. With inductive sensor.



5. With Namur solenoid valve.



6. With mechanical limit switches box suitable for zone 21 Atex EX II 2D.
7. With inductive sensor suitable for zone 21 Atex EX II 2D.
8. With Namur solenoid valve suitable for zone 21 Atex EX II 2D.
9. –
10. With mechanical limit switches box suitable for zone 22 Atex EX II 3D.
11. With inductive sensor suitable for zone 22 Atex EX II 3D.
12. With Namur solenoid valve suitable for zone 22 Atex EX II 3D.

Related documents:

3D-Part: Type.step (example: **DKA35B01**.step)
2D-planning drawing: Type.dxf (example: **DKA35B01**.dxf)
Selection criteria: SG-FSP-FSH-DKA-DKH
Pricelist: PL-DKA-Basic
List of drawing numbers: Draw-No-List_DKA-Basic

Hosokawa solids solutions
www.solids.eu

