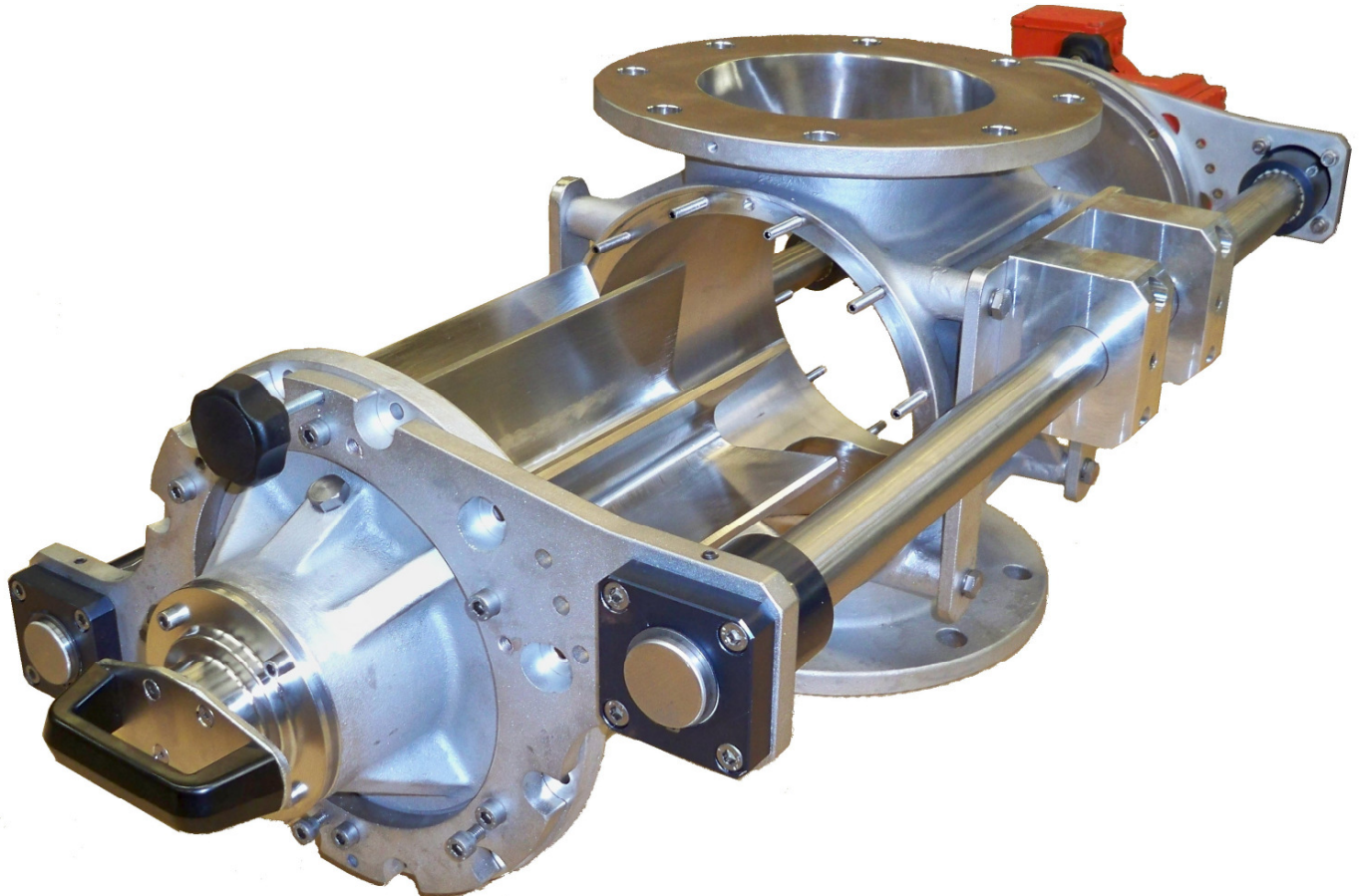


solids Rotary Valve
Type SRVS-Hygienic
Hygienic Design




Rotary feeder for discharge out of silos and / or feeding in pressure- or suction conveying lines, hygienic-version acc. EHEDG-Guidelines



Advantages:

- **Fulfills GMP- / FDA-requirements and DIN EN 1672-2**
- **Suitable for food stuffs, easy dismantling, easy cleaning**
- **gas tight outwards**
- **acc. ATEX-directive 94/9/EC, zone 20 interior, zone 21 exterior, dust explosible atmosphere permanent, long-run, oftentimes**
- **With type examination test by notified body**

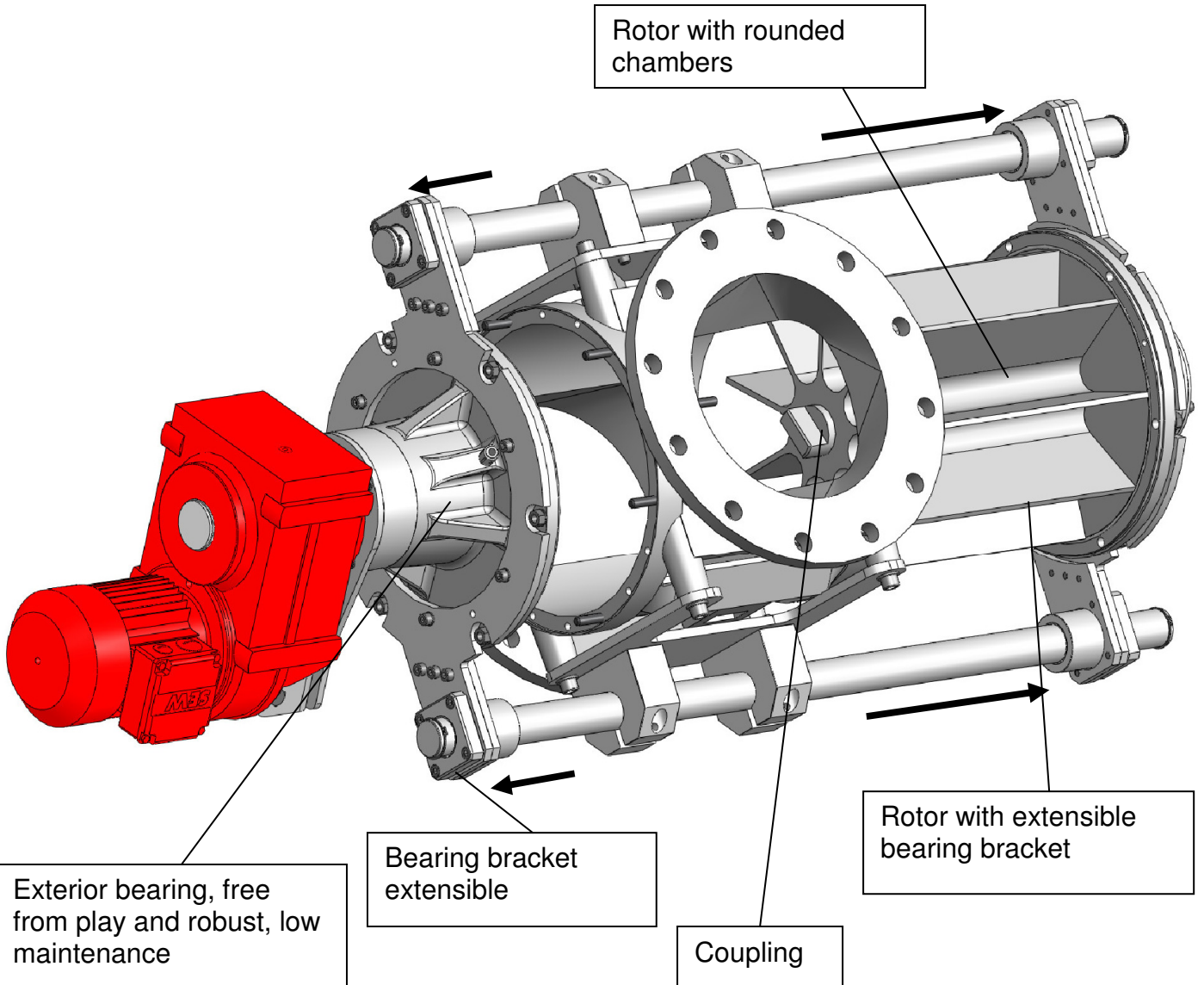
Identification:  **II 1/2 D**



S.S.T.-Schüttguttechnik Maschinenbau GmbH
Lechwiesenstr. 21, 86899 Landsberg / Lech
Tel. 0049 (0)8191-3359-50 / Fax 0049 (0)8191-3359-55
Mail SST@solids-service.de www.solids.de



**solids Rotary Valve
Type SRVS-Hygienic
Hygienic Design**



GMP- / FDA-conform characteristics:

- In contact with product polished (interior), ground. Surface quality acc. demanded Ra-value.
- All sealings without any cracks.
- Optionally electropolished.
- Free of dead spots.

Type	Ø In-/Outlet mm	Height mm	Flow rate l/rotation	Material housing	Material rotor
SRVS-Hygienc 150	150	320	5	Special steel casting	Stainless steel
SRVS-Hygienc 200	200	375	9,8		
SRVS-Hygienc 250	250	430	20		



S.S.T.-Schüttguttechnik Maschinenbau GmbH
 Lechwiesenstr. 21, 86899 Landsberg / Lech
 Tel. 0049 (0)8191-3359-50 / Fax 0049 (0)8191-3359-55
 Mail SST@solids-service.de www.solids.de

