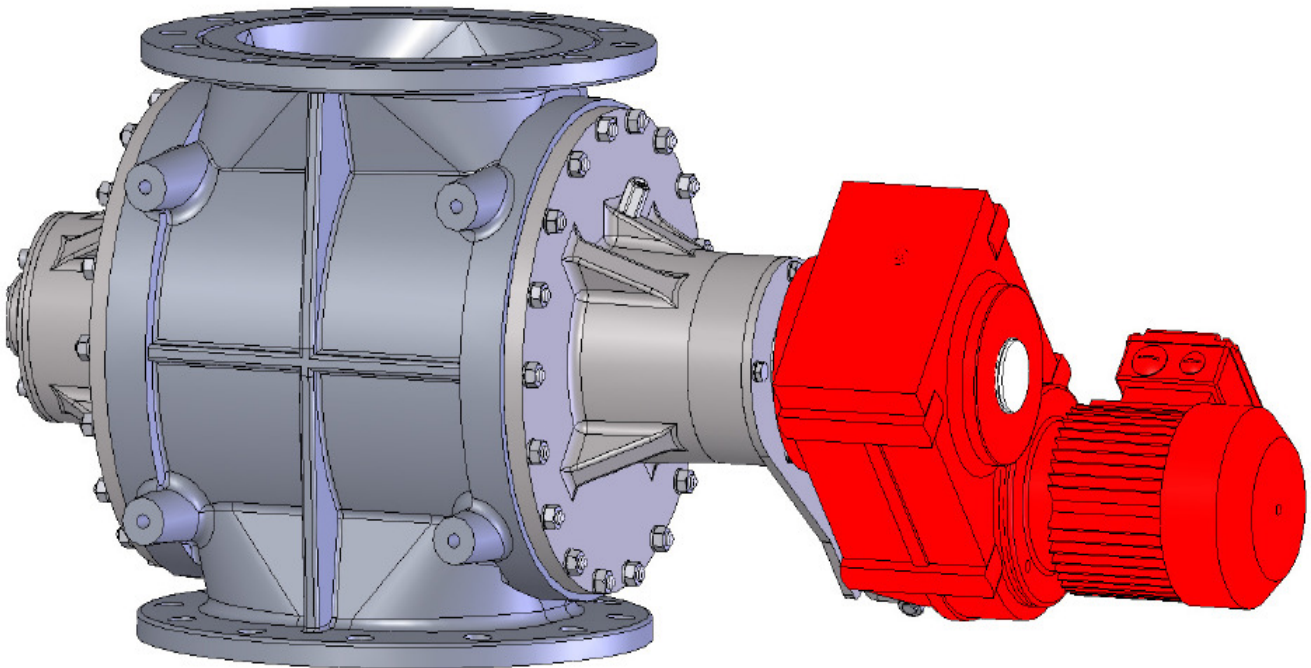


solids Rotary Valve
Type SRVS-Basic



Rotary feeder for discharging and dosing, standard-version, acc. ATEX directive 94/9/EC for zone 20 interior, zone 21 exterior, with type examination test



Advantages:

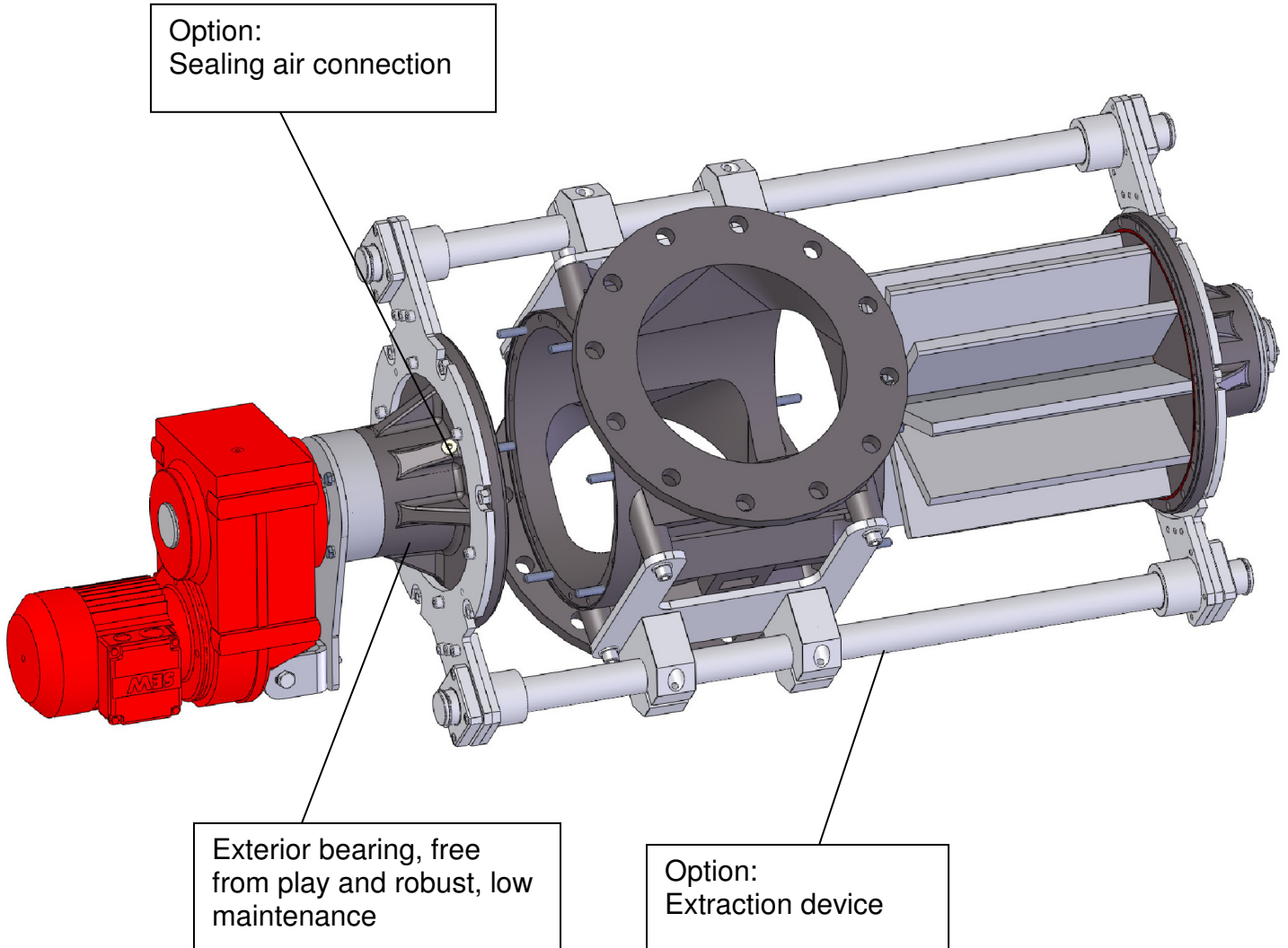
- **robust and low-wear**
- **cost-efficiency and low maintenance**
- **space saving**
- **gas tight outwards**
- **Appropriate for application acc. ATEX directive 94/9/EC in zone 20 interior, zone 21 exterior**
- **Reliability for operator due to type examination test with declaration of conformity**

Identification:  **II 1/2 D**

S.S.T.-Schüttguttechnik Maschinenbau GmbH
Lechwiesenstr. 21, 86899 Landsberg / Lech
Tel. 0049 (0)8191-3359-50 / Fax 0049 (0)8191-3359-55
Mail SST@solids-service.de www.solids.de



solids Rotary Valve
Type SRVS-Basic



Type	Ø In-/Outlet mm	Height mm	Flow rate l/rotation	Material housing	Material rotor
SRVS150	150	320	2,5-5	Iron casting	Mild steel
SRVS200	200	375	5-10	Special steel	Stainless steel
SRVS250	250	430	10-19	casting Aluminium casting	steel Aluminium

S.S.T.-Schüttguttechnik Maschinenbau GmbH
Lechwiesenstr. 21, 86899 Landsberg / Lech
Tel. 0049 (0)8191-3359-50 / Fax 0049 (0)8191-3359-55
Mail SST@solids-service.de www.solids.de

