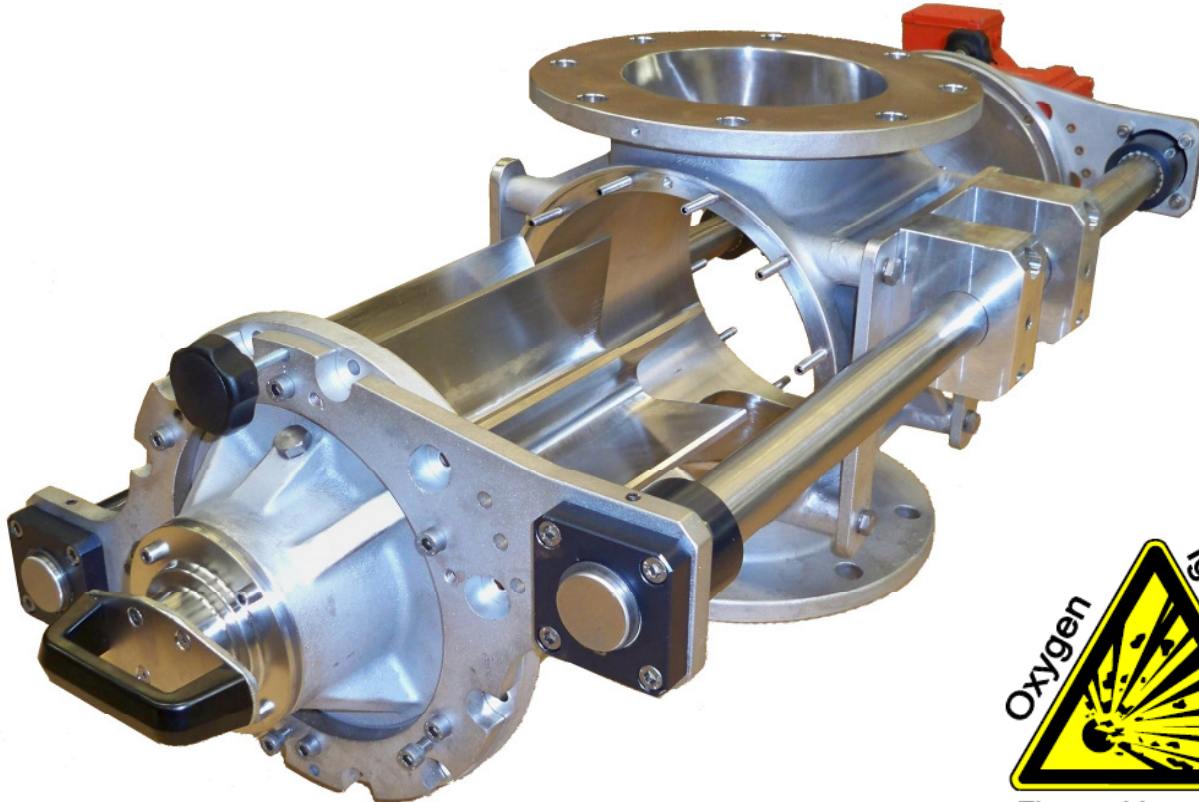


solids Rotary Valve  
Type SRVP-Hygienic Protective system  
**Hygienic Design**



Rotary feeder for discharging and dosing, for discharge from silos and/or feeding in pressure- or vacuum conveying lines, Hygienic-Design acc. EHEDG-Guidelines, as protective system acc. ATEX for products with dust explosion risk



**Advantages:**

- Fulfills GMP- / FDA-requirements and DIN EN 1672-2
- Suitable for food stuffs, easy dismantling, easy cleaning
- gas tight outwards
- space saving
- Pressure shock resistant 13 bar g and flame propagation proof, Protective system category 1 acc. ATEX-directive 94/9/EC, zone 20 interior, zone 21 exterior, dust explosion risk permanent, long-term, oftentimes, with type examination test by notified body

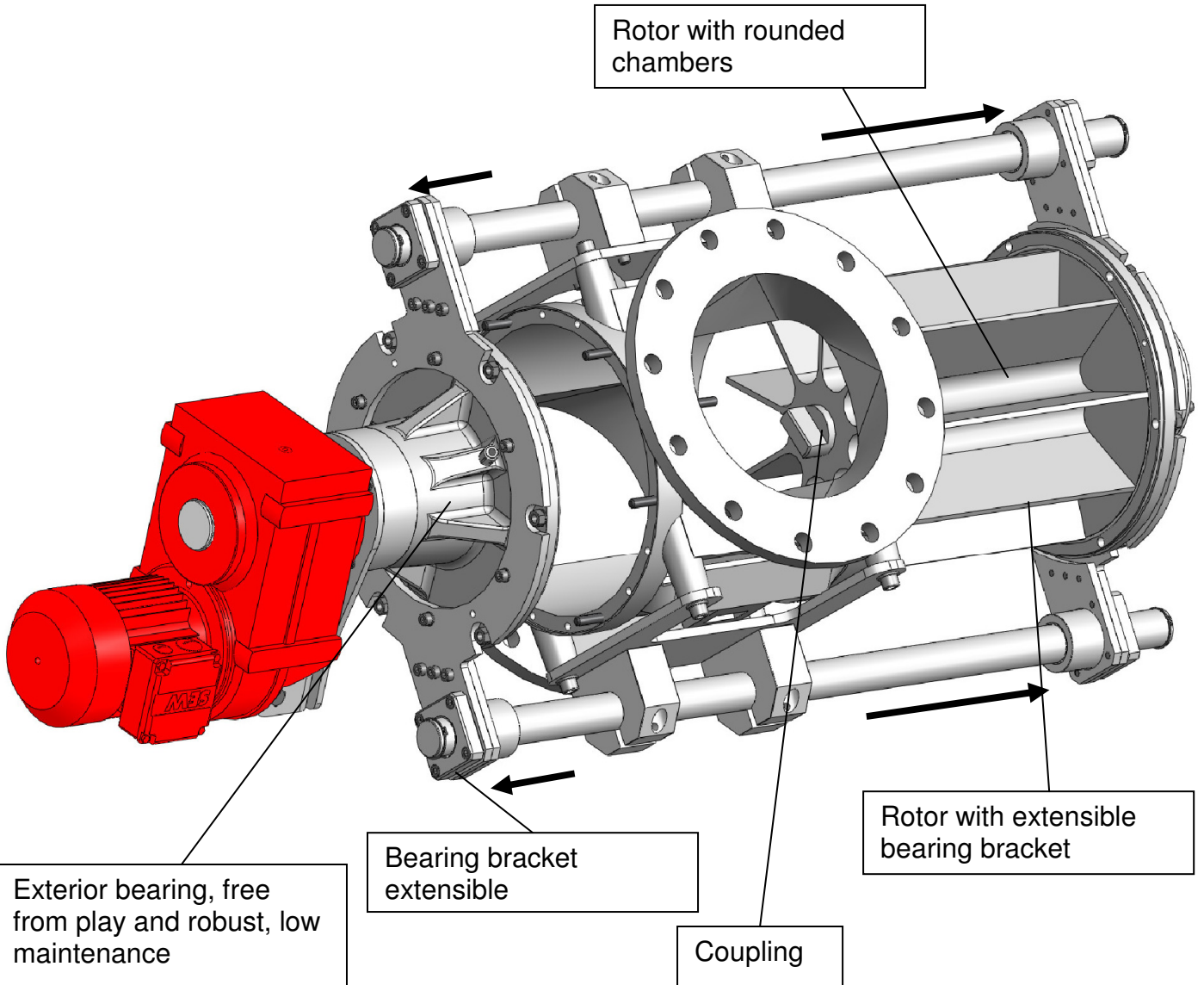
Identification:  II 1/2 D



S.S.T.-Schüttguttechnik Maschinenbau GmbH  
Lechwiesenstr. 21, 86899 Landsberg / Lech  
Tel. 0049 (0)8191-3359-50 / Fax 0049 (0)8191-3359-55  
Mail [SST@solids-service.de](mailto:SST@solids-service.de) [www.solids.de](http://www.solids.de)



**solids Rotary Valve**  
**Type SRVP-Hygienic Protective system**  
**Hygienic Design**



**GMP- / FDA-conform characteristics:**

- In contact with product polished (interior), ground. Surface quality acc. demanded Ra-value.
- All sealings without any cracks.
- Optionally electropolished.
- Free of dead spots.

Type	Ø In-/Outlet mm	Height mm	Flow rate l/rotation	Material housing	Material rotor
SRVS-Hygienc 150	150	320	3,2	Special steel casting	Stainless steel
SRVS-Hygienc 200	200	375	6		
SRVS-Hygienc 250	250	430	12		



**S.S.T.-Schüttguttechnik Maschinenbau GmbH**  
 Lechwiesenstr. 21, 86899 Landsberg / Lech  
 Tel. 0049 (0)8191-3359-50 / Fax 0049 (0)8191-3359-55  
 Mail [SST@solids-service.de](mailto:SST@solids-service.de) [www.solids.de](http://www.solids.de)

