

solids Rotary Valve
Type SRVC-Clean

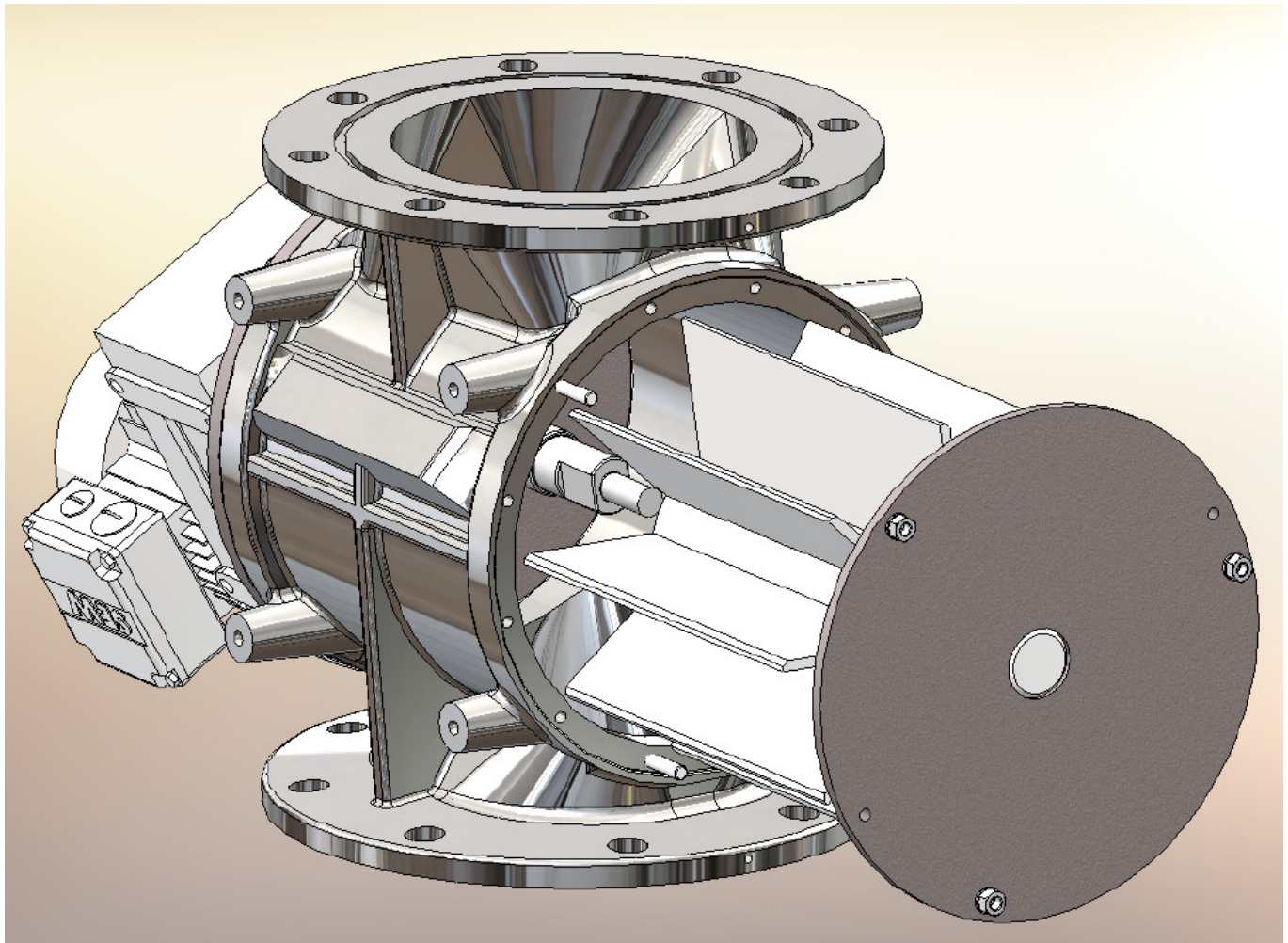


Rotary feeder for discharging and dosing, easy dismantling, rotor put on motor shaft.

Foodstuffs- and Fine chemistry- design, according ATEX directive 94/9/EC for zone 20 interior, zone 21 exterior.

Dust explosible atmosphere permanent, long-run, oftentimes. With type examination test by notified body.

Identification:  **II 1/2 D**



S.S.T.-Schüttguttechnik Maschinenbau GmbH
Lechwiesenstr. 21, 86899 Landsberg / Lech
Tel. 0049 (0)8191-3359-50 / Fax 0049 (0)8191-3359-55
Mail SST@solids-service.de www.solids.de



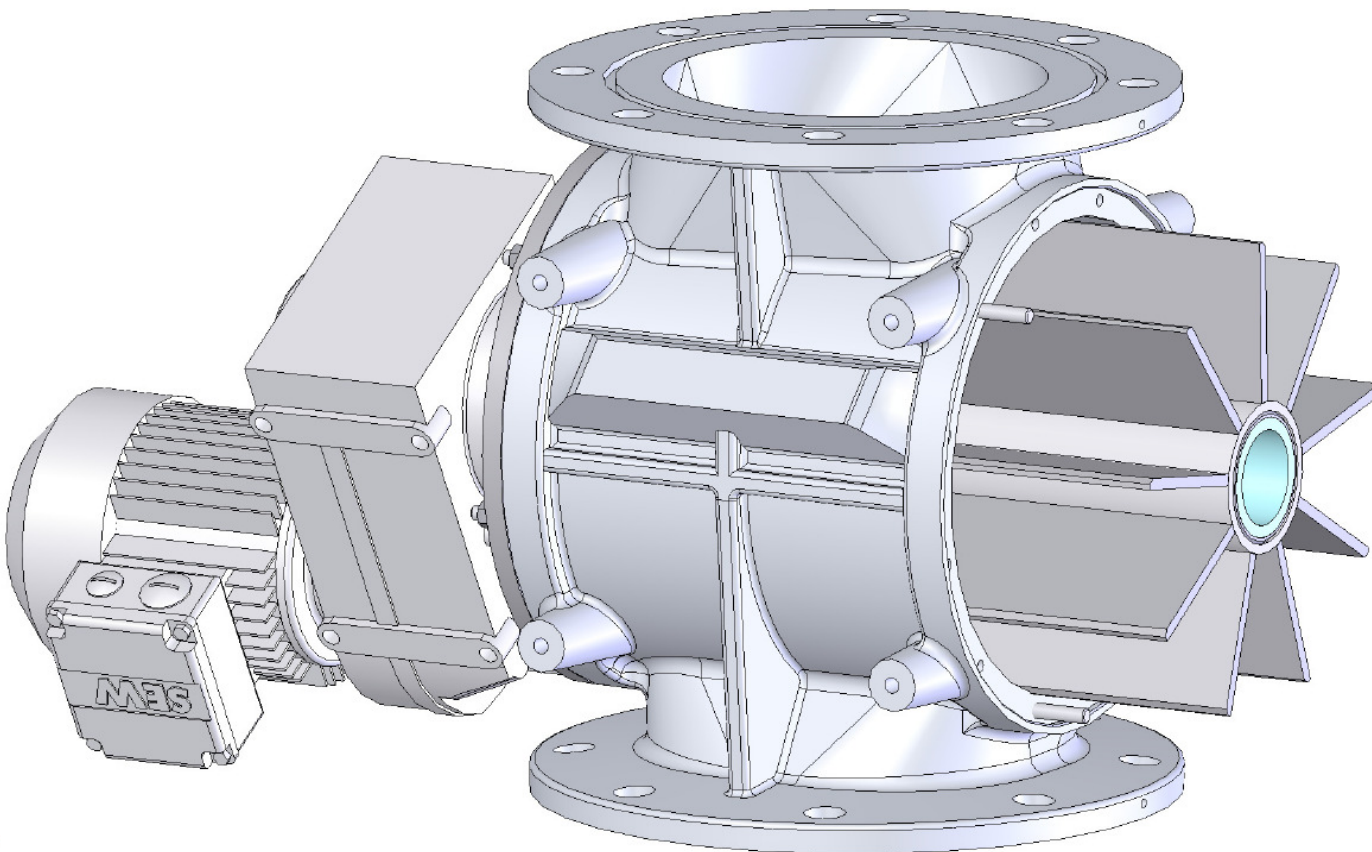
solids Rotary Valve Type SRVC-Clean



Advantages:

- Suitable for foodstuffs, easy dismantling, easy cleaning
- Easy to maintain
- robust and low-wear
- cost-efficiency and low maintenance due to simple assembling
- space saving
- gas tight outwards

Type	Ø In-/Outlet mm	Height mm	Flow rate l/rotation	Material housing	Material rotor
SRVC150	150	320	2,5-5	Iron casting Special steel casting Aluminium casting	Mild steel
SRVC200	200	375	5-10		Stainless steel
SRVC250	250	430	10-19		Aluminium



S.S.T.-Schüttguttechnik Maschinenbau GmbH
 Lechwiesenstr. 21, 86899 Landsberg / Lech
 Tel. 0049 (0)8191-3359-50 / Fax 0049 (0)8191-3359-55
 Mail SST@solids-service.de www.solids.de

